



Decontamination

► Of people, vehicles, machinery, equipment

PRODUCTS

- Collapsible Spill Bund DECON
- Decontamination Foot Floor Mats
- Large Surface Folding Pool LARGE
- Large Surface Folding Pool HEAVY DUTY
- Collapsible Flexible Utility Tray FASTER
- Emergency Container EC



Effective decontamination

(e.g. after an intervention during the bird flu epidemic, etc.)

DECONTAMINATION OF PEOPLE — VEHICLES — EQUIPMENT



Spill Bunds for decontamination of people

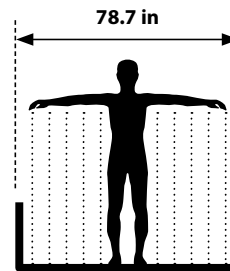
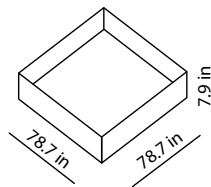
Catalogue

Web

Detailed information

COLLAPSIBLE SPILL BUND DECON

- ▷ Specially designed for the most effective decontamination of persons
- ▷ Optimized dimensions of 78.7 × 78.7 × 7.9 in, allowing decontamination of a person with outstretched arms
- ▷ Capacity of 171.7 gallons
- ▷ Quick assembly anywhere in the field
- ▷ Shapeable construction enables use in areas with obstacles
- ▷ Side handles for easy handling
- ▷ Side supports for increased stability
- ▷ Drain hole for easier pumping or draining of contaminated materials
- ▷ Temperature range for using the bund: -22 °F to +158 °C
- ▷ For effective decontamination of footwear, Decontamination Foot Floor Mats are recommended



GALLERY



The bund in the transport shape can be carried by one person

Drain hole with cover strip

Detail of the side support for better stability of the bund

Optimised dimensions for decontamination of an individual with outstretched arms



Flexible construction

DECONTAMINATION OF PEOPLE — VEHICLES — EQUIPMENT

DECONTAMINATION FOOT FLOOR MATS

- ▶ Ensure effective and thorough removal of hazardous substances from footwear
- ▶ Made from durable rubber composite based on recycled materials
- ▶ Chemically resistant, non-absorbent surface treatment
- ▶ Heavier weight prevents mats from slipping in the decontamination bund
- ▶ Primarily designed for placement in Collapsible Spill Bunds DECON



Accessories for decontamination of persons

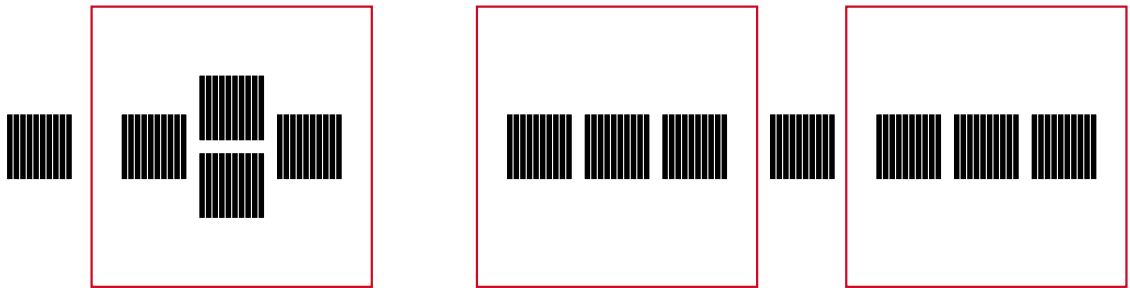
Detailed information



Catalogue



Web



Examples of use

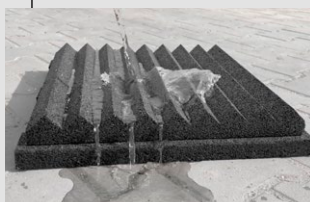
The mats are designed mainly for placement in the Collapsible Decontamination Spill Bunds DECON

GALLERY



Durable reinforced material

The mats have a special surface treatment against water absorption



Detail of the surface structure



Underside of the mat



Recommended storage method



DECONTAMINATION OF PEOPLE — VEHICLES — EQUIPMENT



Spill Bunds for decontamination of vehicles

Detailed information



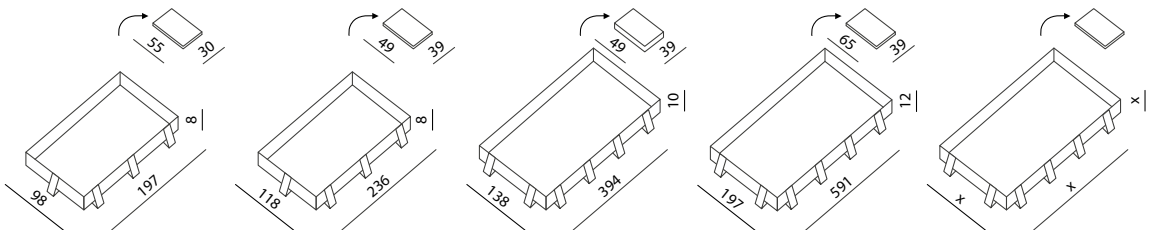
Catalogue



Web

LARGE SURFACE FOLDING POOL LARGE

- ▶ Ideal for decontamination or washing of all vehicle types, including vans, trucks, tankers, etc.
- ▶ Easy entry and exit due to folding side walls
- ▶ Made from chemically resistant material
- ▶ Constructed from strong PVC with a protective pad under the bottom to ensure extended durability
- ▶ Custom dimensions available upon customer request
- ▶ Also suitable for preventing leaks during vehicle refueling or repairs



GALLERY



Instructions for use



Decontamination/washing of a vehicle

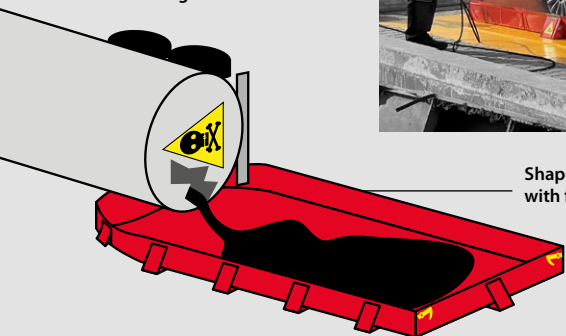
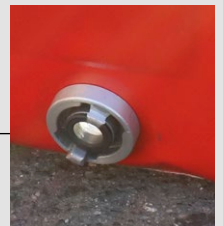


Examples of use

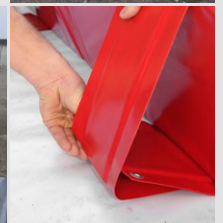
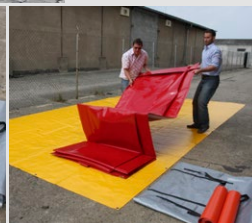
Drive in through open side wall on under-wheel tracks

Use for washing or decon. of vehicles

Possibility of adding a drain hole and ball valve



Shapeable construction with folding side supports



DECONTAMINATION OF PEOPLE

VEHICLES

EQUIPMENT



Spill Bunds for decontamination of vehicles

Detailed information



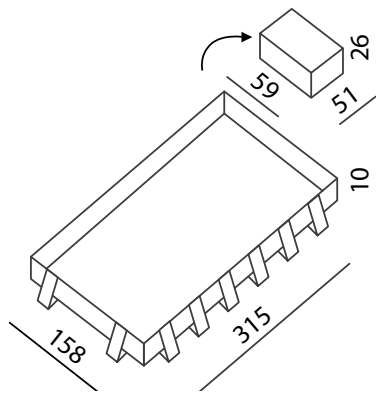
Catalogue

Web

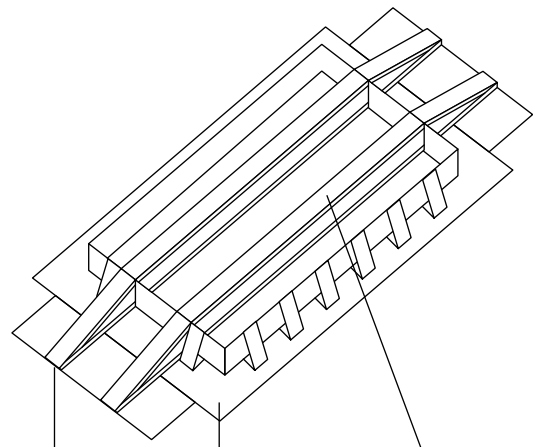


LARGE SURFACE FOLDING POOL HEAVY DUTY

- Extremely durable spill bund suitable for washing or decontaminating heavy-duty military and fire-fighting vehicles, including tracked vehicles, tanks, and high-load vehicles
- Constructed from extra-strong, chemically resistant PVC
- Folding sidewalls allow easy entry and exit
- Equipped with protective pads, an insert, and entry tracks, preventing damage even in rough or rocky terrain
- Custom sizes available to meet individual customer requirements



Dimensional ratio of staggered and folded tank



Protective pad from nonwoven fabric

Protective pad made of strong PVC

Wooden ramp

GALLERY



Example of use

Drive-thru spill containment berm with wooden ramps



Detail of anchorage of a wooden ramp



Detail of side supports



Detail of tracked vehicle entering the wooden ramp



DECONTAMINATION OF PEOPLE — VEHICLES — EQUIPMENT



Spill Bunds for decontamination of equipment

Catalogue

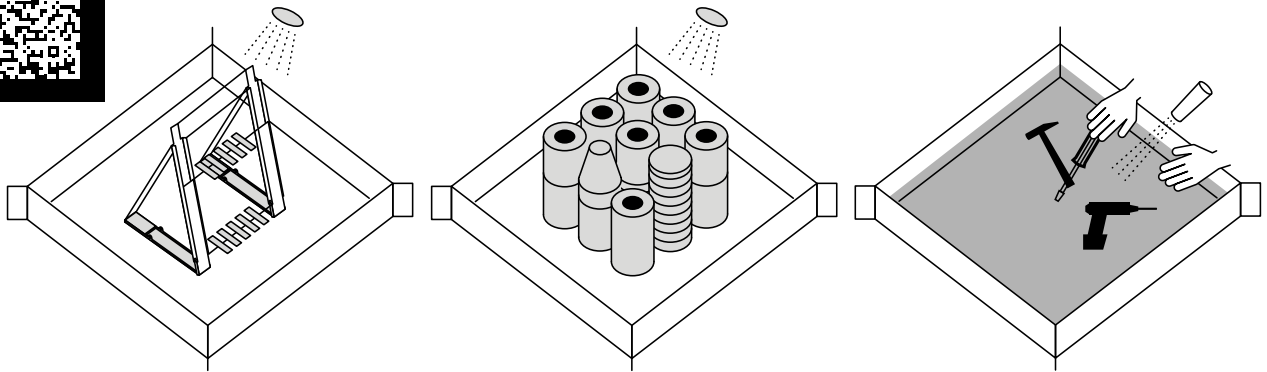
Detailed information

Web

COLLAPSIBLE FLEXIBLE UTILITY TRAY FASTER

- ▶ Designed for capturing leaking hazardous substances, degreasing, cleaning, washing or decontaminating machines, tools or equipment
- ▶ Roll-up structure secured with a strap for easy storage
- ▶ Available with solid and segmented reinforcements that adapt better to obstacles in the area of use
- ▶ Available in a wide range of size variants from 5 to 77 gallons
- ▶ Resistant to acids, alkaline substances, petroleum products, and other hazardous materials
- ▶ Can be manufactured from materials with special properties (e.g. antistatic, non-flammable)

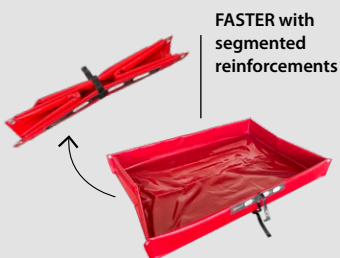
Use e.g. for washing, cleaning or decontamination of tools, instruments, spare parts, etc.



GALLERY



Examples of use



DECONTAMINATION OF PEOPLE — VEHICLES — EQUIPMENT



Emergency containers

EMERGENCY CONTAINER EC

- ▶ Simple tray for contaminated waste (solid and liquid)
- ▶ Low cost enables single-use and disposal of the tray together with the waste
- ▶ Foldable design minimizes storage space
- ▶ Quick assembly without tools or additional accessories

i
Detailed information

Catalogue

Web



EC 02 – constructed with regard to sizes of ADR sets (maximal volume 0.8 gal)

GALLERY



EC 02 in unfolded shape

Examples of use

Its bent edges serve as handles during manipulation





Containment of hazardous substances

▶ In accidents involving vehicles, tankers, railways, industry, etc.

PRODUCTS

- ▶ Collapsible Spill Bunds
- ▶ Emergency containers
- ▶ Magnetic Drain Covers
- ▶ Large Surface Pools
- ▶ Folding Funnels
- ▶ Floor Barriers
- ▶ Self-Supporting Tanks
- ▶ Drip Trays
- ▶ Sorbent Dispenser Carts



In accidents involving vehicles, tankers, railways, industry, etc.

CONTAINMENT OF LEAKING LIQUIDS

STOP THE SPREAD OF LEAKING LIQUIDS

LIQUID LEAK CLEAN-UP



Spill Berts

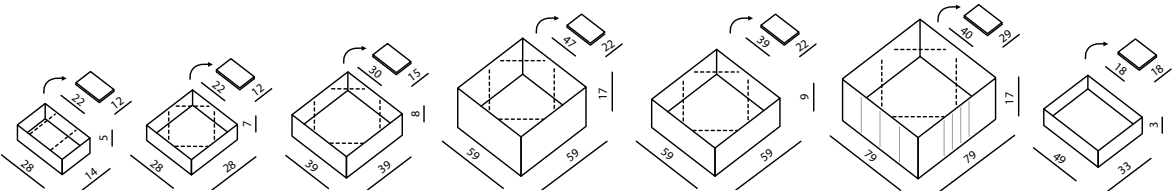
COLLAPSIBLE SPILL BUND ECCOTARP

- ▶ Universal collapsible spill bund suitable for containment of leaking hazardous substances from punctured tanks, barrels, hazardous material storage containers, etc.
- ▶ Use, for example in vehicle accidents, tankers, logistics, etc.
- ▶ Available in various sizes, with volumes ranging from 7 to 423 liters
- ▶ The flexible design allows the bund to adapt to obstacles in the terrain – e.g. sliding it under an overturned vehicle
- ▶ Handling belts for easy manipulation or the option to hang the bund
- ▶ Chemically resistant material that withstands petroleum products, alkaline substances, acids, and more
- ▶ Option to equip with a drain hole and ball valve
- ▶ Foldable design saves space during transport and storage
- ▶ Supplied in a practical transport bag

Detailed information

Catalogue

Web



GALLERY



Examples of use

Also usable for decontamination

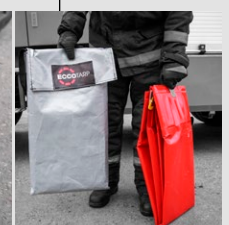
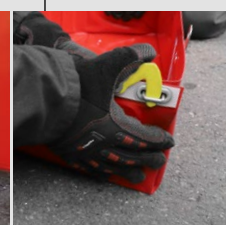
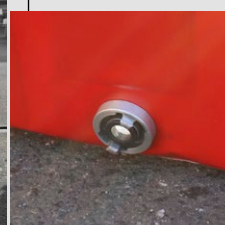
Handling belts for easy manipulation or the option to hang



Option to equip the bund with a drain hole and ball valve

Securing the side of the bund with a yellow hook

Transport/ storage shape



CONTAINMENT OF LEAKING LIQUIDS

STOP THE SPREAD OF LEAKING LIQUIDS

LIQUID LEAK CLEAN-UP



Spill BERM

COLLAPSIBLE SPILL BUND CARGO

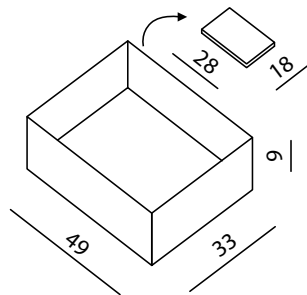
- ▶ Ideal for containing hazardous substances from drums, IBC containers, and barrels transported on pallets
- ▶ The special shape of the bund's design allows it to fit precisely around the pallet
- ▶ The folding corners of the bund enable it to unfold into a flat surface, making it easy to handle the pallet stored inside the bund
- ▶ The bund with containers on pallets can be placed on another pallet and easily moved, e.g. with a forklift – „sandwich“ folding system (pallet-bund-pallet)
- ▶ Chemically resistant material withstands petroleum products, alkaline substances, acids, and more
- ▶ Side handles for easy handling of the empty bund
- ▶ 2 size variants of the bund – CARGO (volume 56 gal) and DP (volume 79 gal)

Catalogue

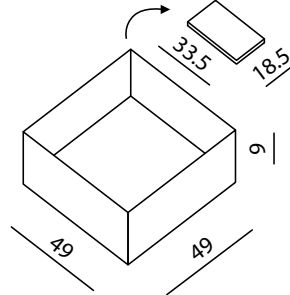
Detailed information

Web

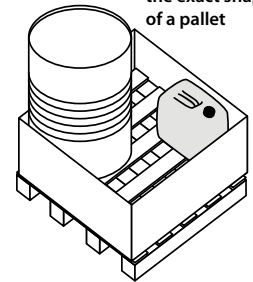
Volume of 56 gal



Volume of 79 gal



Spill bund CARGO copies the exact shape of a pallet



GALLERY



The corners are not welded, allowing for easy assembly of the bund around a pallet

Easy handling thanks to the side handles



CONTAINMENT OF LEAKING LIQUIDS

STOP THE SPREAD OF LEAKING LIQUIDS

LIQUID LEAK CLEAN-UP



Spill Berts

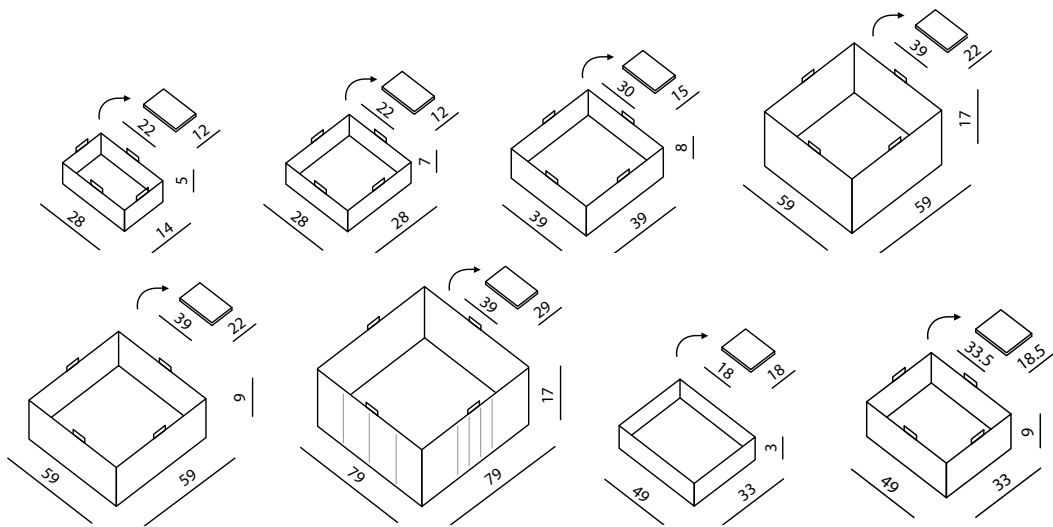
COLLAPSIBLE SPILL BUND ANTISTATIC

- ▶ The containment bund is made of a special antistatic PES/PVC material with high conductivity (electrical resistance is less than $10^9 \Omega$)
- ▶ Components made of non-sparking materials
- ▶ Ideal for containment of hazardous substances in environments with higher explosion hazard
- ▶ Shapeable design
- ▶ Easy handling thanks to integrated handles
- ▶ User-friendly lock mechanism with double seal closure

Catalogue

Detailed information

Web



GALLERY



Examples of use



CONTAINMENT OF LEAKING LIQUIDS

STOP THE SPREAD OF LEAKING LIQUIDS

LIQUID LEAK CLEAN-UP



Spill Berms

COLLAPSIBLE SPILL BUND RAIL

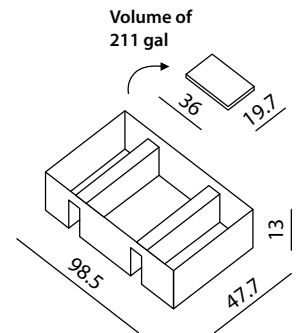
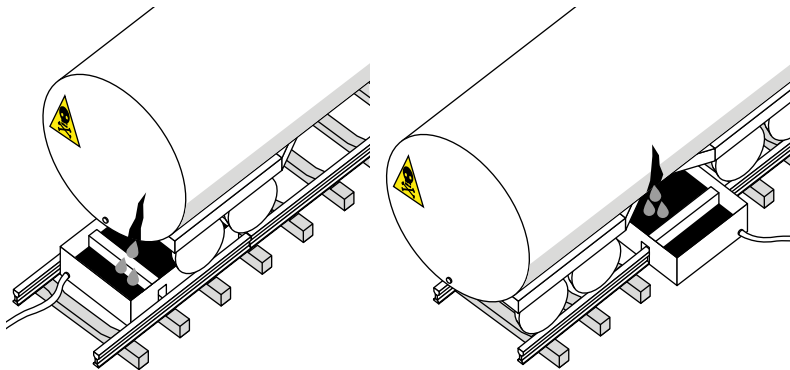
- ▶ Ideal for containing hazardous substance leaks on railway tracks – e.g. during railway accidents, at train stations, in railway depots, or during downtime of filled tanker cars
- ▶ Designed to accurately fit between the rail tracks
- ▶ Volume of 211 gallons
- ▶ Chemically resistant material
- ▶ Option to place the bund across the tracks or longitudinally in the inner space between the tracks
- ▶ Increased stability is provided by external side supports
- ▶ 3 brass drain holes GEKA PLUS 1 – 1 hole in each compartment of the bund

Catalogue

Detailed information

Web

Placement variants of RAIL berm in the track



GALLERY



Example of use

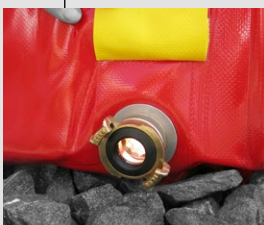


Also suitable for use in the inner space between the tracks



Brass drain hole GEKA PLUS 1

Easy assembly



CONTAINMENT OF LEAKING LIQUIDS

STOP THE SPREAD OF LEAKING LIQUIDS

LIQUID LEAK CLEAN-UP



Large surface folding pools

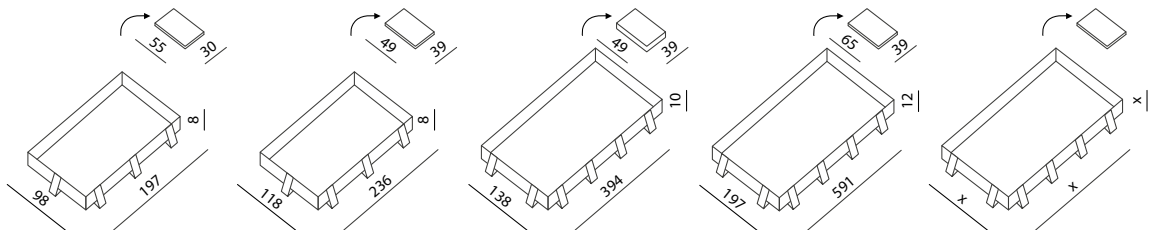
Catalogue

Detailed information

Web

LARGE SURFACE FOLDING POOL

- ▶ Low containment bund with a shapeable folding design
- ▶ Suitable for containing hazardous substances leaking from, for example damaged tankers or other large vehicles, under which the bund can easily be slid thanks to the foldable side walls and shaped as needed
- ▶ The bund can also be used for decontamination or vehicle washing
- ▶ Chemically resistant material
- ▶ Easy drive-in and drive-out through the folded side walls of the bund
- ▶ A protective pad placed under the bund's bottom extends its lifetime and is supplied as a standard part of the product
- ▶ Several standard size variants with volumes ranging from 660 to 5944 gallons
- ▶ Custom-made sizes can be made according to the customer's requirements



GALLERY



Instructions for use



Decontamination/washing of a vehicle

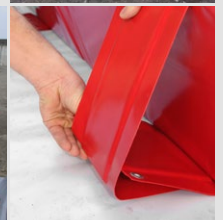
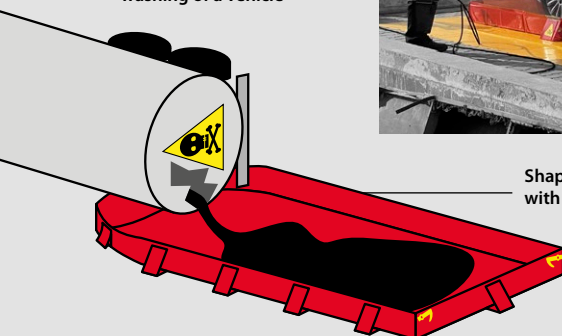
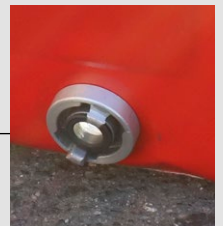


Examples of use

Drive in through open side wall on under-wheel tracks

Use for washing or decon. of vehicles

Possibility of adding a drain hole and ball valve



CONTAINMENT OF LEAKING LIQUIDS

STOP THE SPREAD OF LEAKING LIQUIDS

LIQUID LEAK CLEAN-UP

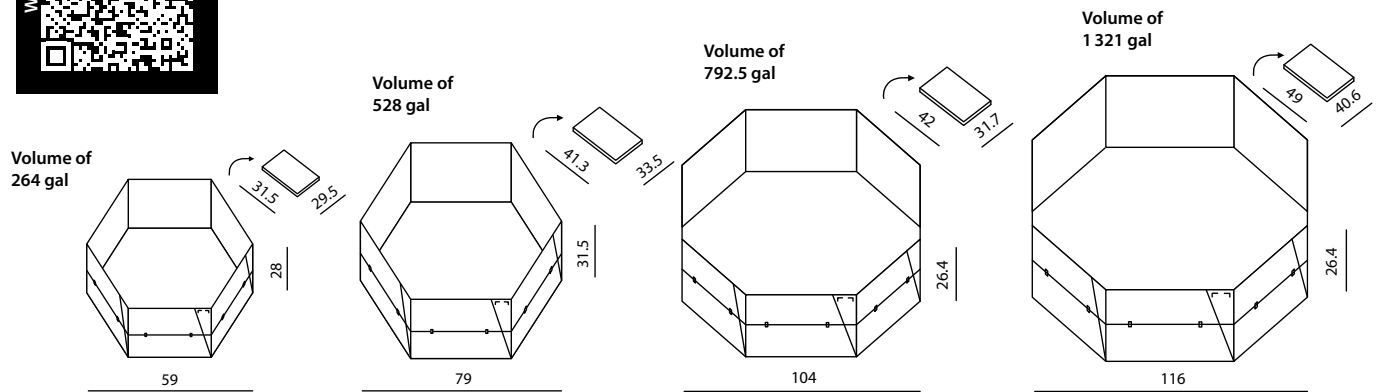


Self-supporting Tanks

Detailed information
 Catalogue
 Web

SELF-SUPPORTING TANK

- Ideal as a collection containment tank for capturing large amounts of leaking hazardous liquids
- Also suitable for pumping leaking liquids during accidents or as a backup water source in hard-to-reach areas
- Welded side panels maintain the upright structure of the tank even when it is empty
- Side handles for easy manipulation
- Option to equip with one or more drain holes (when equipped with multiple drain holes opposite each other, the tank can serve as a flow-through system)
- Chemically resistant material (acids, oils, petroleum products, alkaline substances, etc.)
- Available in volumes from 264 to 1321 gallons

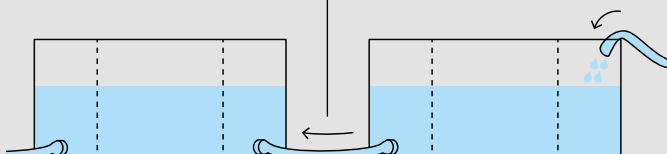


GALLERY



Examples of use

Option to connect tanks to increase volume or for pumping



Easy manipulation

Transport/storage shape of the tank



CONTAINMENT OF LEAKING LIQUIDS

STOP THE SPREAD OF LEAKING LIQUIDS

LIQUID LEAK CLEAN-UP



Emergency containers

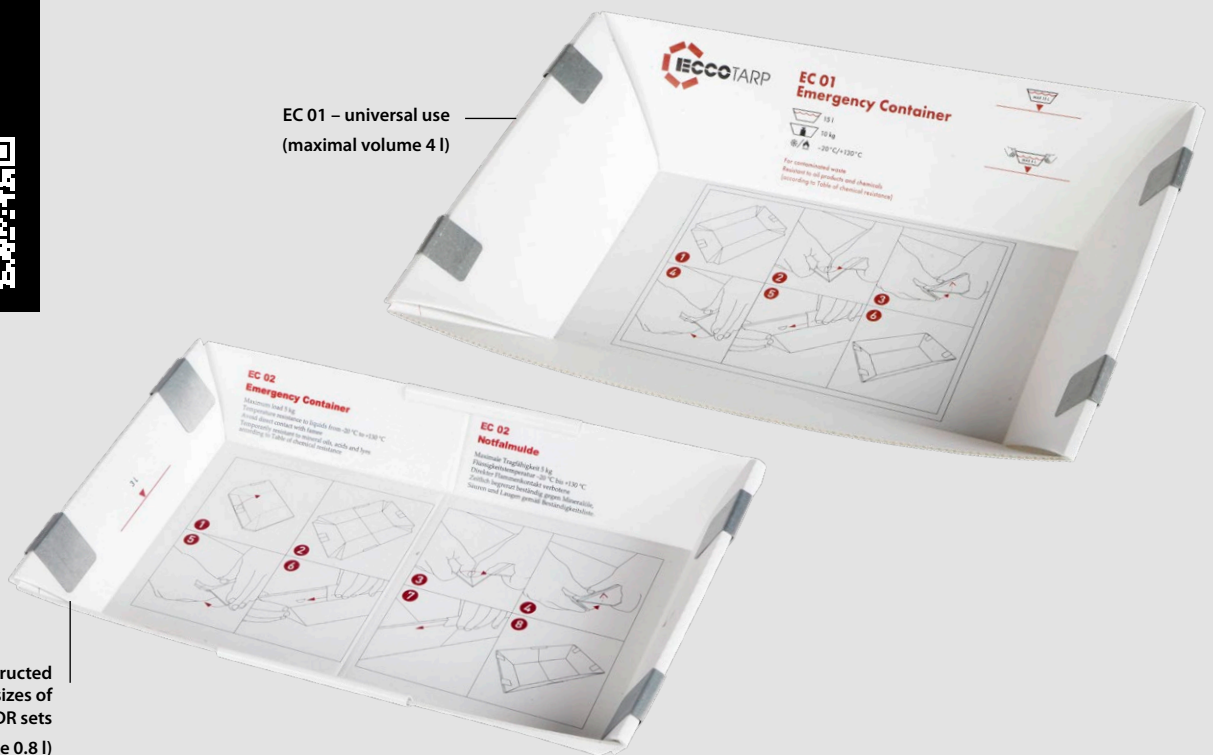
EMERGENCY CONTAINER EC

- ▶ Simple tray for contaminated waste (solid and liquid)
- ▶ Design and low cost enable disposal of the container along with the waste
- ▶ The foldable design minimizes storage space
- ▶ Clever construction allows quick assembly without tools

Detailed information

Catalogue

Web



EC 01 – universal use (maximal volume 4 l)

EC 02 – constructed with regard to sizes of ADR sets (maximal volume 0.8 l)

GALLERY



EC 02 in unfolded shape

Examples of use

Its bent edges serve as handles during manipulation



CONTAINMENT OF LEAKING LIQUIDS

STOP THE SPREAD OF LEAKING LIQUIDS

LIQUID LEAK CLEAN-UP



Emergency containers

Catalogue

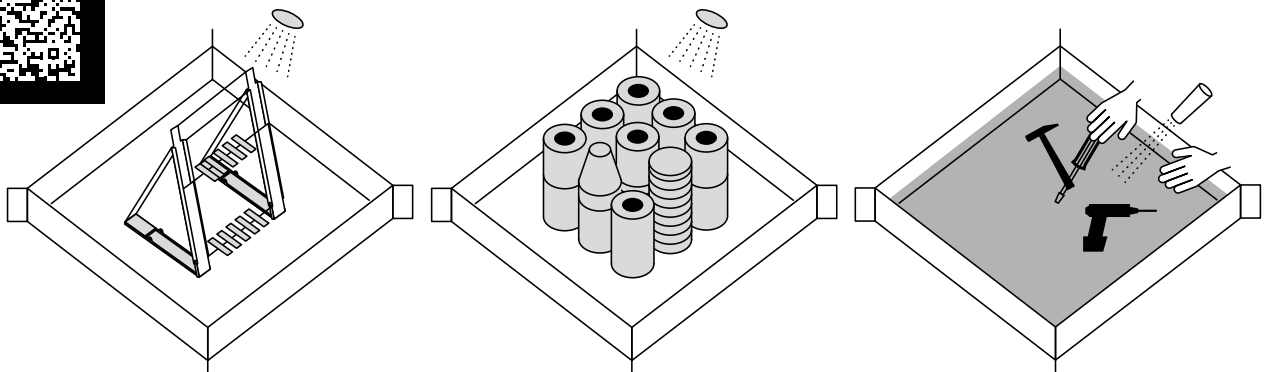
Detailed information

Web

COLLAPSIBLE FLEXIBLE UTILITY TRAY FASTER

- Simple spill tray for extremely fast containment of hazardous substances, e.g. in warehouses or workshops
- Rolling construction saves space during storage and speeds up deployment
- Also ideal for cleaning or decontaminating tools, equipment, maintenance tasks, and for storing canisters or other containers with hazardous substances
- Can be used as a substitute for a drain cover to protect drains from hazardous substances
- 2 types of construction – solid or segmented reinforcements
- Chemically resistant material
- Corner eyelets for hanging
- Available in multiple size variants – volume from 5 to 77 gallons

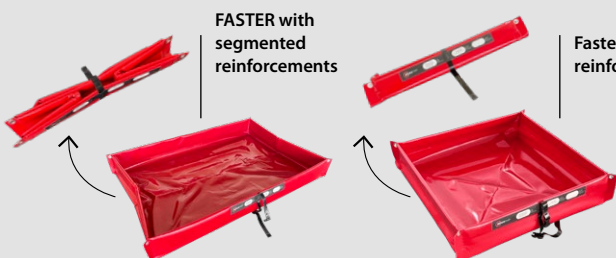
Use e.g. for washing, cleaning or decontamination of tools, instruments, spare parts, etc.



GALLERY



Examples of use



CONTAINMENT OF LEAKING LIQUIDS

STOP THE SPREAD OF LEAKING LIQUIDS

LIQUID LEAK CLEAN-UP



Folding Funnels

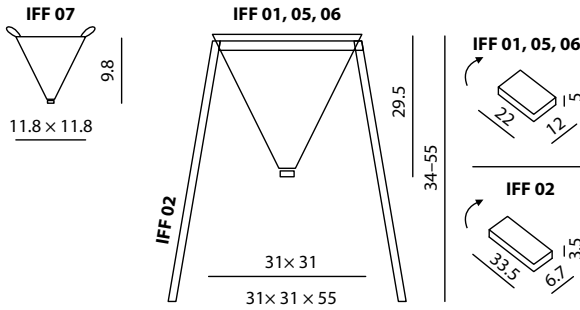
INDUSTRIAL FOLDING FUNNEL IFF

- ▶ Ideal for use in hard-to-reach areas, heights (e.g. broken pipes), etc.
- ▶ 4 handles at the corners for hanging and easy handling
- ▶ The funnel can be used separately or hung on a special stand
- ▶ Folding design saves space when storing
- ▶ Chemically resistant material
- ▶ 2 size variants – volume of 3 and 37 gallons

Catalogue

Detailed information

Web



GALLERY



CONTAINMENT OF LEAKING LIQUIDS

STOP THE SPREAD OF LEAKING LIQUIDS

LIQUID LEAK CLEAN-UP



Drip Trays

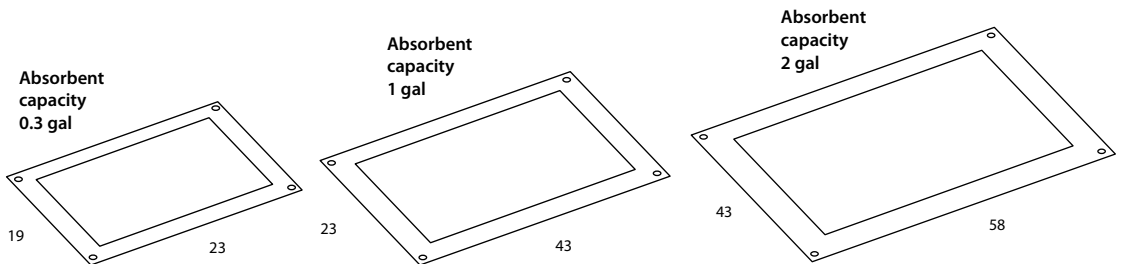
FOLDING DRIP COLLECTION TRAY WITH EXCHANGEABLE ABSORBENT LINING

- For catching small drips, such as from contaminated tools, spare parts, equipment, or containers with hazardous liquids
- Ideal for use in workshops, production facilities, chemical laboratories, etc.
- Eyelets in the corners for hanging up, e.g. under broken pipes, hydraulic lines, machines, or vehicles, etc.
- The largest dimension of the drip tray corresponds to the surface area of a pallet
- The protective grid captures larger trash and protects items placed on it from being covered in fibers from the absorbent insert
- Replaceable absorbent linings depending on the type of liquid being captured

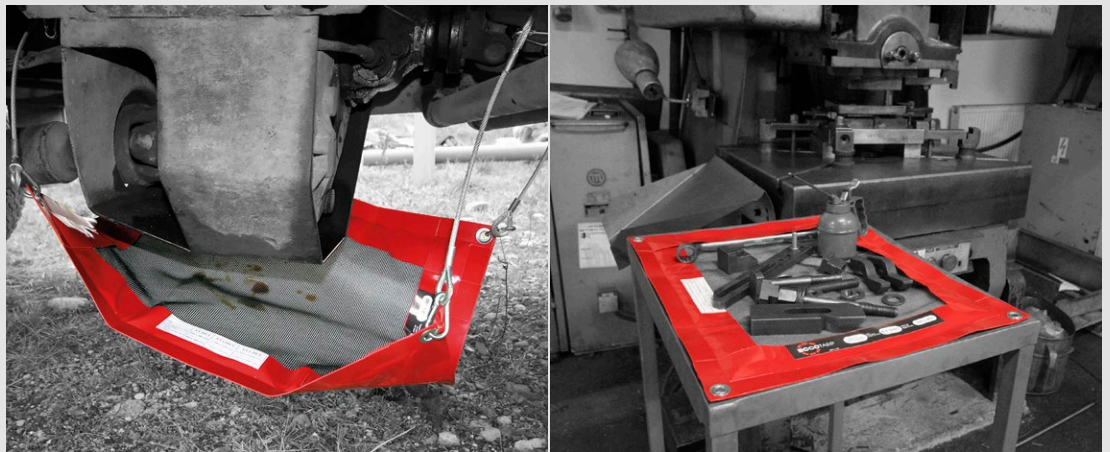
Catalogue

Detailed information

Web



GALLERY



Examples of use

Protective grid to capture large trash and protect placed items from being covered in fibers from the absorbent insert

CONTAINMENT OF LEAKING LIQUIDS

STOP THE SPREAD OF LEAKING LIQUIDS

LIQUID LEAK CLEAN-UP



Drain Covers

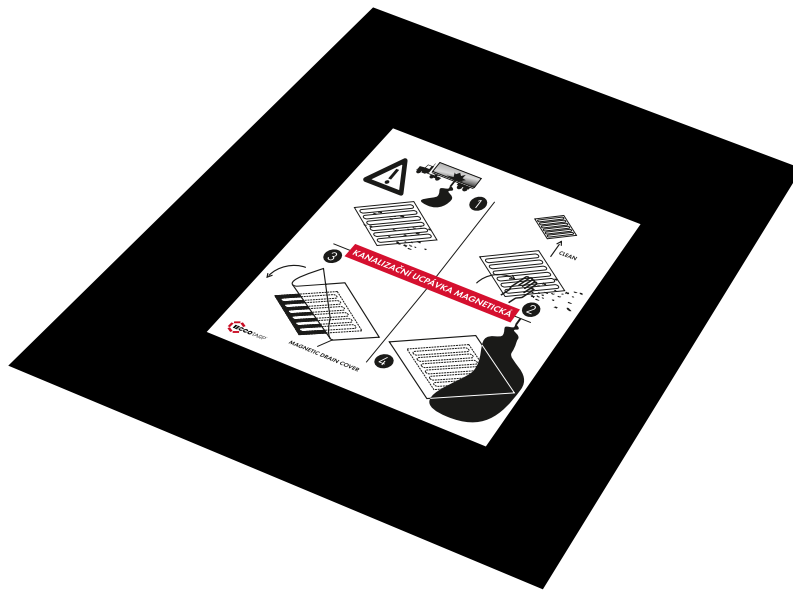
MAGNETIC DRAIN COVER MDC

- ▶ Effective protection of drains against the entry of leaked dangerous liquids
- ▶ Suitable for any steel or cast-iron drains
- ▶ Flexible, lightweight, and compact
- ▶ Made of isotropic magnetic foil with a thickness of 0.02 in
- ▶ Resistant to petroleum products, diluted acids, alkalis, etc.
- ▶ Available in 3 standard size variants
- ▶ Reusable

Catalogue

Detailed information

Web



GALLERY



Examples of use

Holding rack



Example of standby mode



CONTAINMENT OF LEAKING LIQUIDS

STOP THE SPREAD OF LEAKING LIQUIDS

LIQUID LEAK CLEAN-UP



Drain Covers

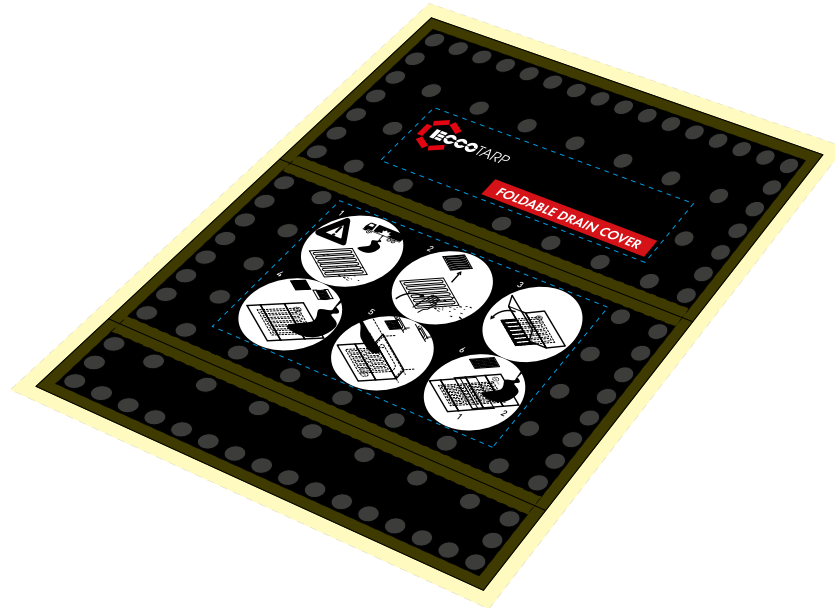
FOLDABLE DRAIN COVER FDC

- ▶ Effective protection for all steel and horizontal plastic sewer grates
- ▶ Usable also for grates with side gate
- ▶ Lightweight, compact, and reusable
- ▶ The sealing efficiency increases due to hydrostatic pressure
- ▶ Chemically resistant material

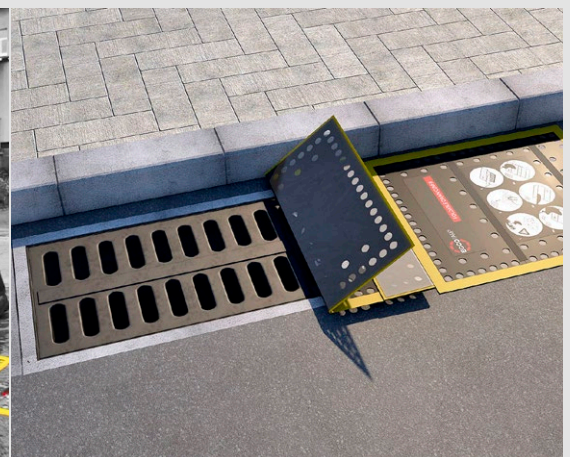
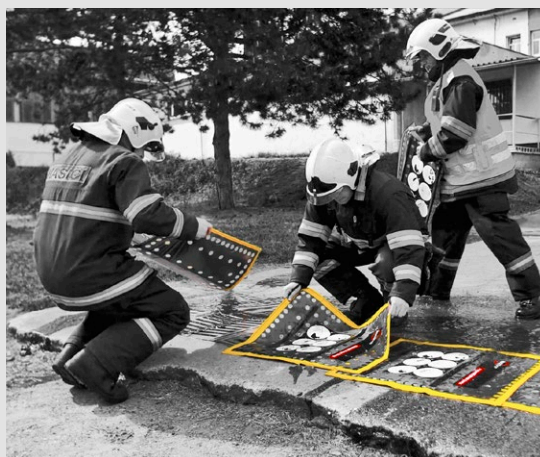
Catalogue

Detailed information

Web

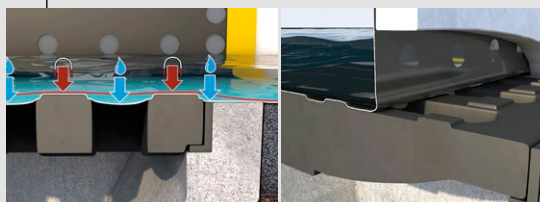


GALLERY



Examples of use

Detail of the hydrostatic pressure function



CONTAINMENT OF LEAKING LIQUIDS

STOP THE SPREAD OF LEAKING LIQUIDS

LIQUID LEAK CLEAN-UP



Floor Barriers

FLOOR ET BARRIER

- ▷ Reliably prevents the spread of spilled liquids on the floor
- ▷ Unlimited range and shape using corners and connecting parts
- ▷ The barrier is made of chemically resistant rubber, which is fixed to the floor with stainless steel anchoring plates
- ▷ Easy installation
- ▷ 100% impermeability when properly installed
- ▷ High durability – can be repeatedly driven over by a forklift or pallet truck
- ▷ Suitable for both indoor and outdoor use
- ▷ Chemically resistant silicone sealant to ensure perfect impermeability

Detailed information
 Catalogue
 Web



Example of use

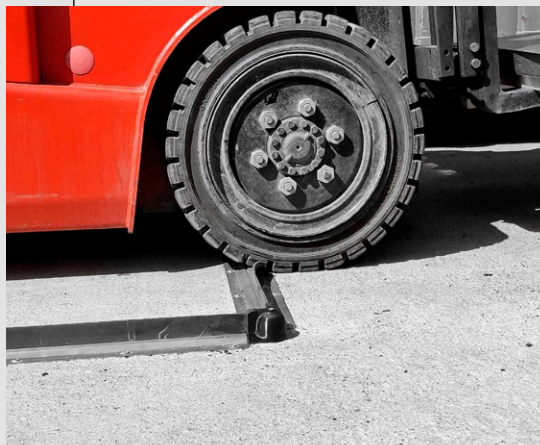


100% impermeability ensured by the silicone sealant used

Folding construction for creating any size and shape



The material is resistant to being driven over by vehicles



GALLERY

CONTAINMENT OF LEAKING LIQUIDS

STOP THE SPREAD OF LEAKING LIQUIDS

LIQUID LEAK CLEAN-UP



Sorbent Dispenser Carts

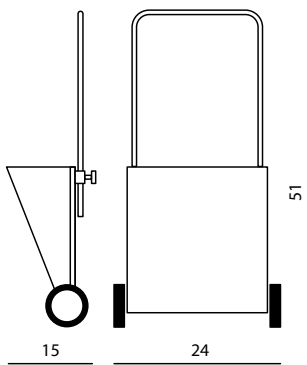
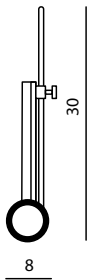
Catalogue

Detailed information

Web

FOLDABLE SORBENT DISPENSER CART SDC 03 PLUS

- ▶ For quick and even application of absorbent or other spreading materials (excluding salt)
- ▶ Ideal for uniform application of spreaders on large surfaces without unnecessary waste of absorbent
- ▶ The folding construction saves space during storage or transportation of the empty cart
- ▶ Hopper capacity: 17 gal
- ▶ Cart weight (without absorbent): 29 lbs
- ▶ Magnetic elements for convenient operation of the product:
 - ▶ Magnetic anchor ensures stability of the cart while filling with sorbent – controlled with the tip of the shoe
 - ▶ Magnetic sorbent spreader plate for controlling the spreading density of the absorbent – controlled with the tip of the shoe



GALLERY



Examples of use

Easily adjustable magnetic elements – magnetic sorbent spreader plate and magnetic anchor



CONTAINMENT OF LEAKING LIQUIDS

STOP THE SPREAD OF LEAKING LIQUIDS

LIQUID LEAK CLEAN-UP



Sorbent
Dispenser Carts

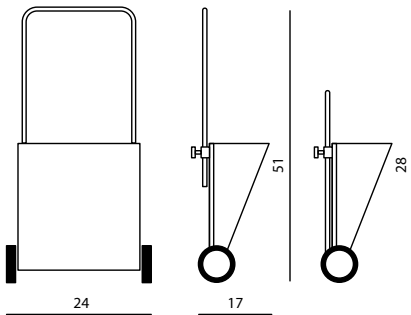
METAL SORBENT DISPENSER CART SDC 05

- ▶ For immediate application of absorbent
- ▶ Ideal for even application over large areas without unnecessary waste of absorbent
- ▶ Can be stored in a ready-to-use position at a suitable location, such as in a factory hall or warehouse, at a gas station, at an airport, in workshops, car repair shops, etc.
- ▶ For all commonly used types of absorbents
- ▶ Easily adjustable density and spread width
- ▶ The metal construction protects the absorbent in the hopper from moisture, ensuring the cart is always ready for immediate use without the degradation of the prepared spreading material
- ▶ Hopper capacity: 17 gal
- ▶ Weight of the cart without absorbent: 49 lbs

Detailed information

Catalogue

Web



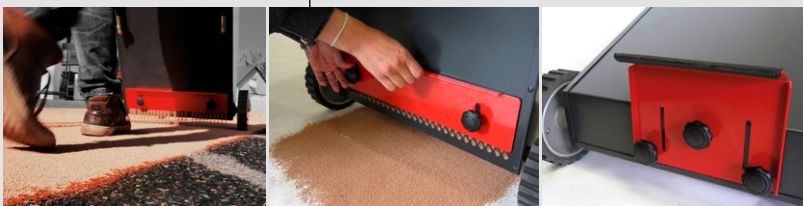
GALLERY



Even distribution of absorbent

Examples of use

Manually adjustable parts





Ignition of electric batteries

► Prevention of ignition and liquidation of fires of Li-ion and other batteries

PRODUCTS

- Temperature Alarm
- Quarantine Container for Electric Cars
- Fire Blanket
- Self-Supporting Tanks



Prevention of ignition and liquidation of fires of Li-ion and other batteries



PREVENTION OF ELECTRIC BATTERY IGNITION – TEMPERATURE ALARM

- ▶ Ideal for preventing the ignition of Li-ion, solid-state, gel, and other battery types
- ▶ Suitable for use in electric vehicles, e-scooters, e-bikes, and electric wheelchairs
- ▶ Temperature sensors continuously monitor the battery's temperature
- ▶ The device sends regular reports on battery temperature via SMS or email
- ▶ Immediate alert upon exceeding the critical temperature threshold
- ▶ Timely response to warning alerts can protect property

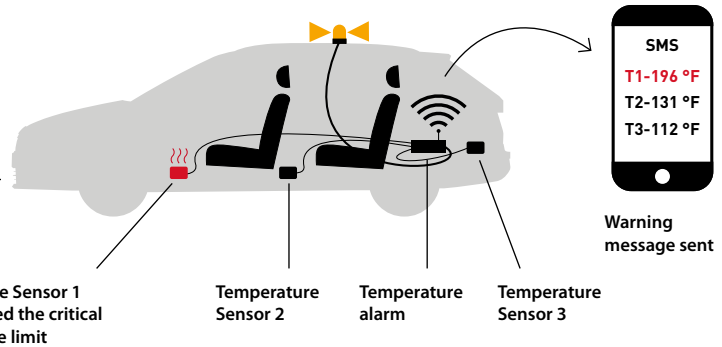
Temperature alarm

Detailed information

Catalogue

Web

Recommended placement of the Temperature alarm and Temperature sensors in the vehicle



GALLERY



Temperature alarm incl. accessories



Beacon indicating that the set temperature has been exceeded



Temperature limit, overrun alarm – the device is sending a warning SMS

Temperature alarm situated in a car luggage compartment



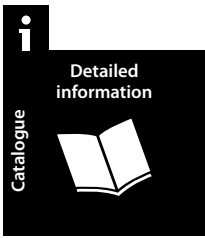
3 temperature sensors

Warning message sample



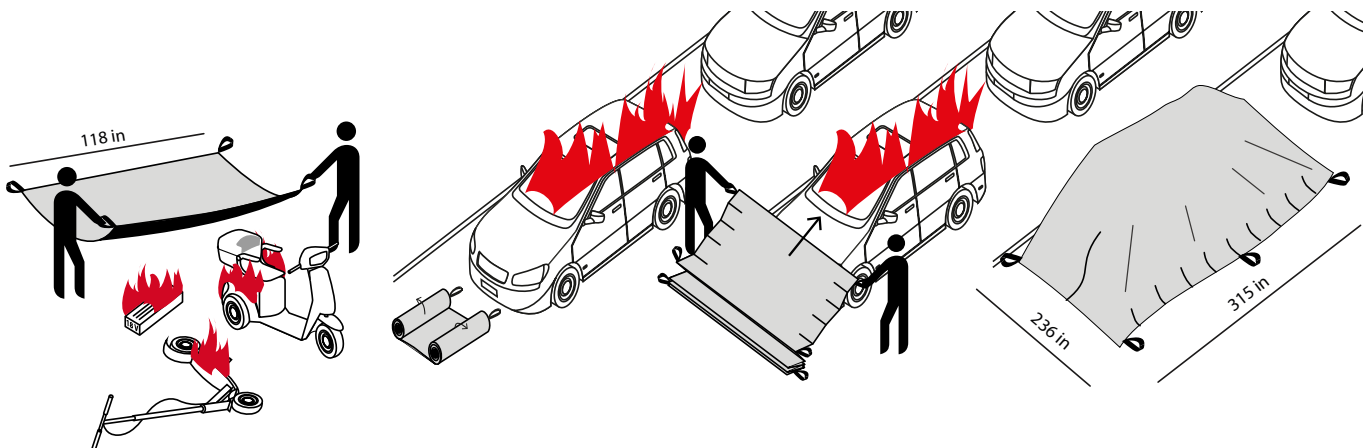


Fire blanket



FIRE BLANKET

- Instantly prevents the spread of fire, toxic fumes, and smoke during vehicle fires (especially electric vehicles), electric scooters, or other property fires
- Ideal for use before the arrival of professional emergency services
- Timely placement of the fire blanket over the burning object protects surrounding property from destruction
- Available in 3 material versions with **extreme temperature resistance up to 3632 °F**
- Special covered seam** protected against potential ignition
- Side handles for easy and safe handling
- 2 size options:
 - 236 × 315 in (comfortably covers a car)
 - 118 × 118 in (for extinguishing smaller objects – electric scooters, mopeds, batteries, etc.)
- Supplied in a practical backpack with shoulder straps or in a hanging metal box for permanent placement on the wall near high-risk areas (e.g. charging stations, underground garages, bike storage rooms, tunnels, etc.)



GALLERY



Example of use

Fire blanket in a metal wall box for immediate use at charging stations in underground garages/collectories



Wall-mounted box for a fire blanket



Fire blanket 118 × 118 in in a practical backpack





Collapsible quarantine container

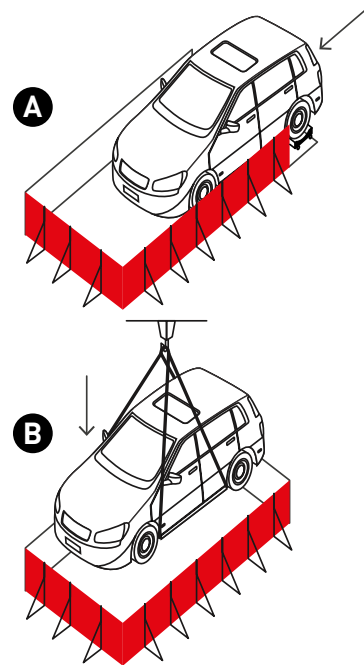
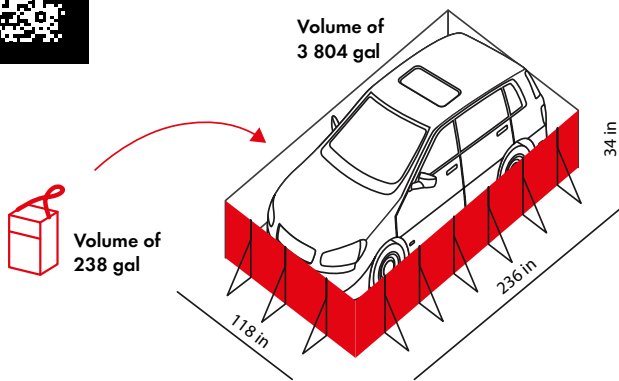
Detailed information

Catalogue

Web

QUARANTINE MEASURES TO PREVENT RE-IGNITION OF EV BATTERIES – COLLAPSIBLE QUARANTINE CONTAINER FOR ELECTRIC CARS

- ▶ For quarantine storage of damaged electric vehicles or other electronic devices after the initial extinguishing of battery fires
- ▶ Prevents re-ignition of damaged batteries by submerging them in water for a necessary duration
- ▶ Placing the vehicle into the container by pushing it into the tank area through lowered sidewalls using handling carts (A) or with a crane (B)
- ▶ Applicable for intervention sites, quarantine locations, underground garages, and parking areas
- ▶ Highly durable, self-extinguishing material allows for repeated use of the quarantine container
- ▶ Foldable structure saves space during transport or storage



GALLERY



Assembly tutorial



Container prepared for flooding of the car



Placement of a damaged electric vehicle into the quarantine container



Detail of side support



Container filled with water. Volume 3 804 gal



Manual transportation of a damaged electric vehicle with the help of transport trolleys



Transport tank shape





Self-supporting
Tanks

PREVENTION → INTERVENTION → QUARANTINE

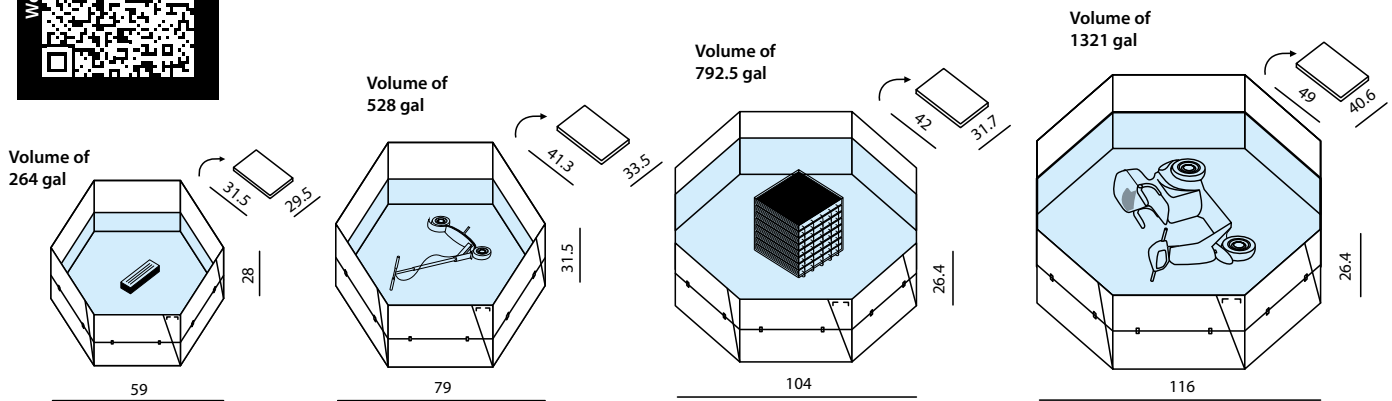
QUARANTINE MEASURES TO PREVENT RE-IGNITION OF BATTERIES – SELF-SUPPORTING TANK

- Suitable for extinguishing/quarantine storage of damaged energy storage systems, e-scooters, electric wheelchairs, etc
- Use by placing the damaged device in the tank and submerging it in water for the necessary duration (days/weeks)
- Chemically resistant material
- Drain hole for easier removal of contaminated water
- Side handles for easy handling
- Reusable

Catalogue

Detailed information

Web



GALLERY



The tank can also be used as a utility water tank



Extinguishing damaged electric scooters



Extinguishing a damaged PV battery storage



Transport/storage shape of the tank



Easy handling thanks to side handles





Liquidation of fires

- ▶ Natural (forest) fires, material property fires (buildings, vehicles, equipment, etc.), training interventions, and similar situations

PRODUCTS

- ▶ High Capacity Tanks
- ▶ Self-Supporting Tanks
- ▶ Fire Blanket
- ▶ Electric Fire Hose Rollers



Liquidation of forest fires, material property fires, etc.

INTERVENTION

FIRE HOSE WINDING

EQUIPMENT CLEAN-UP AFTER INTERVENTION



High Capacity Tanks

HIGH CAPACITY TANK WITH COLLAPSIBLE STRUCTURE

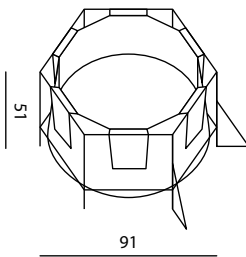
- Ideal for firefighting with a helicopter using a bambi bucket
- Available in volumes from 1321 to 13 208 gallons
- Tank heights range from 51 to 59 inches
- Foldable construction saves space during transport and storage
- Made of chemically resistant PVC
- Also suitable as a utility water reservoir or for pumping operations
- Supplied in a practical transport bag

Catalogue

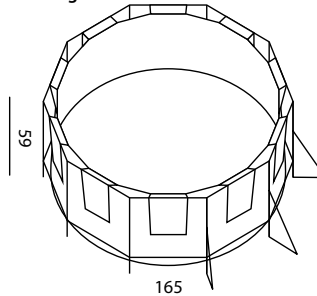
Detailed information

Web

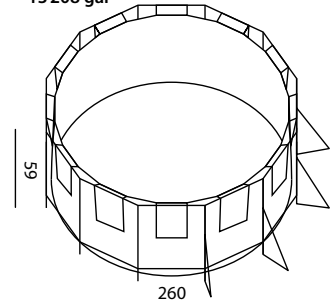
Volume of 1321 gal



Volume of 5283 gal



Volume of 13 208 gal



GALLERY



The whole tank can be set up by a single person in several minutes

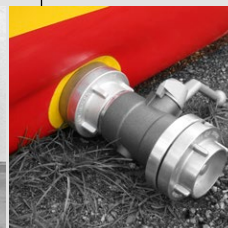
Ideal for extinguishing large fires using a Bambi bucket



Transport/Storage packaging of the tank



Ball valve C52



Accessory: fill elbow



INTERVENTION

FIRE HOSE WINDING

EQUIPMENT CLEAN-UP AFTER INTERVENTION



Self-supporting Tanks

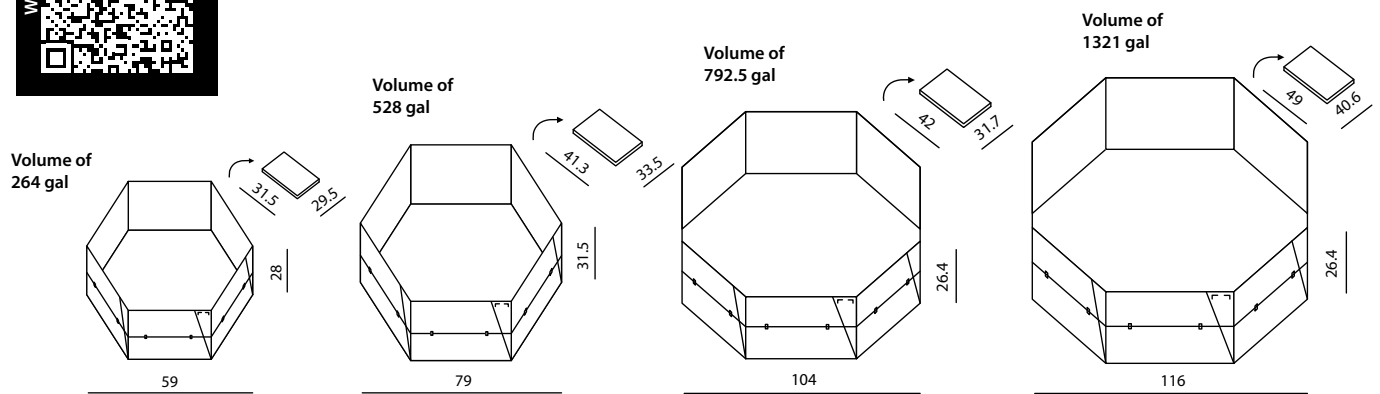
Catalogue

Detailed information

Web

SELF-SUPPORTING TANK

- ▶ Ideal as a transfer tank or storage for utility water
- ▶ Available in volumes from 264 to 1321 gallons
- ▶ Option to equip with a drain hole and ball valve
- ▶ Reinforced side walls provide shape stability for the tank, even when empty
- ▶ Peripheral belts for structural reinforcement
- ▶ Collapsible design saves space during transport and storage
- ▶ The tank can be easily set up by one person in just a few minutes
- ▶ The tank is also suitable for extinguishing fires/quarantine storage of damaged battery storage from PV systems, electric scooters, electric carts, etc.

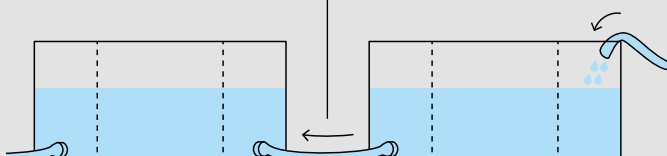


GALLERY



Examples of use

Option to connect tanks to increase volume or for pumping



Easy manipulation

Transport/storage shape of the tank



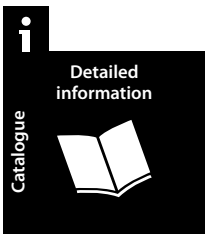
INTERVENTION

FIRE HOSE WINDING

EQUIPMENT CLEAN-UP AFTER INTERVENTION



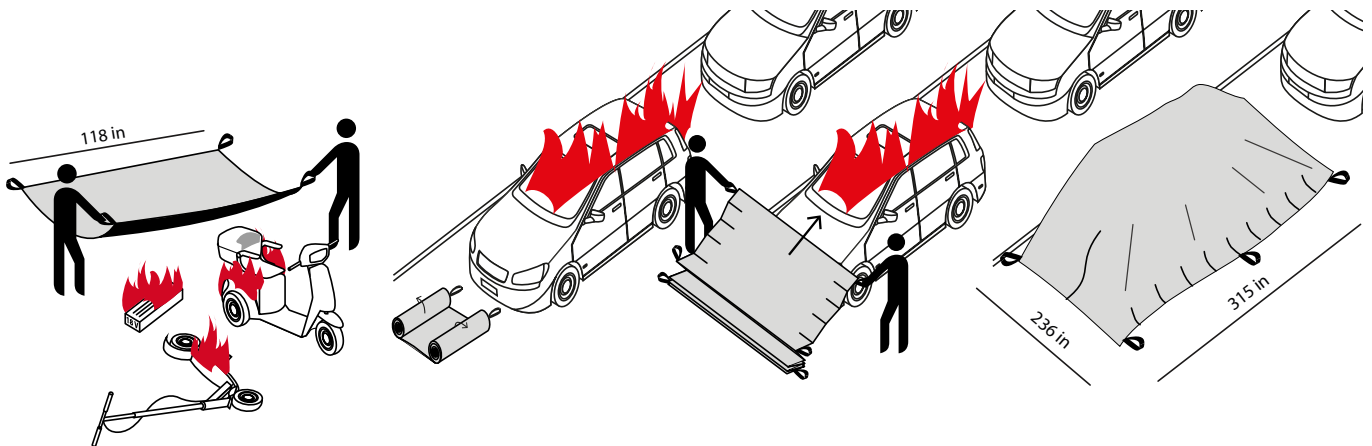
Fire blanket



Detailed information

FIRE BLANKET

- Instantly prevents the spread of fire, toxic fumes, and smoke during vehicle fires (especially electric vehicles), electric scooters, or other property fires
- Ideal for use before the arrival of professional emergency services
- Timely placement of the fire blanket over the burning object protects surrounding property from destruction.
- Available in 3 material versions with **extreme temperature resistance up to 3632 °F**
- Special covered seam** protected against potential ignition
- Side handles for easy and safe handling
- 2 size options:
 - 236 × 315 in (comfortably covers a car)
 - 118 × 118 in (for extinguishing smaller objects – electric scooters, mopeds, batteries, etc.)
- Supplied in a practical backpack with shoulder straps or in a hanging metal wall box for permanent placement on the wall near high-risk areas (e.g. charging stations, underground garages, bike storage rooms, tunnels, etc.)



Examples of use

Fire blanket in a metal wall box for immediate use at charging stations in underground garages/collectories



Wall-mounted box for a fire blanket



Fire blanket 118 × 118 in in a practical backpack



INTERVENTION

FIRE HOSE WINDING

EQUIPMENT CLEAN-UP AFTER INTERVENTION



Electric Fire Hose Rollers

i Detailed information

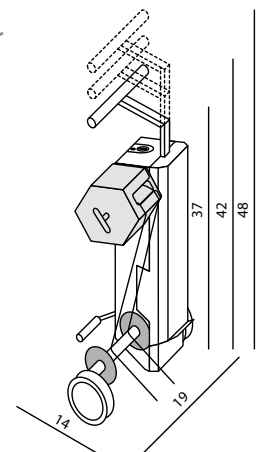
Catalogue

Web

ELECTRIC FIRE HOSE ROLLERS

- ▶ For quick and comfortable winding of fire hoses without unnecessary effort and bending
- ▶ Battery-powered electric motors
- ▶ Winding of over 15 000 ft of fire hose on a single charge
- ▶ Suitable for both dry and wet fire hoses
- ▶ 2 types of removable carriers:
 - ▶ 2 FORKS
 - For winding smaller fire hoses up to 4"
 - Option to wind the hose secured by the coupling or folded in half
 - ▶ DRUM
 - For winding larger fire hoses up to 6"
- ▶ Partially collapsible design – foldable chassis, retractable handlebars
- ▶ Can also be used for draining water from a filled fire hose
- ▶ REVERSE function for controlled unwinding of the already wound fire hose
- ▶ Hose protector to prevent damage to the hose ends and hose during winding
- ▶ Safety features:
 - ▶ Smooth start of winding
 - ▶ Immediate stop of winding if the hose gets stuck on an obstacle
 - ▶ Safe operating voltage of 36 V

ET-ROLLER 6



Type	ET-ROLLER 6
Battery type	2 × 18 V aku
For hoses up to the size of	5"
Types of hose carriers	2 FORKS / DRUM
The water draining function	yes
REVERSE function	yes
Charger included in the package	no
Weight of the device without the fire hose	81 lbs

INTERVENTION

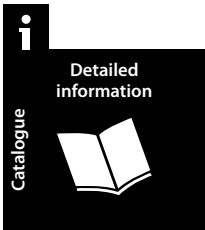
FIRE HOSE WINDING

EQUIPMENT CLEAN-UP AFTER INTERVENTION



ET-ROLLER 7

Stronger, more robust, more comfortable, safer



New ergonomics of the handlebars



Reinforced engine mounting

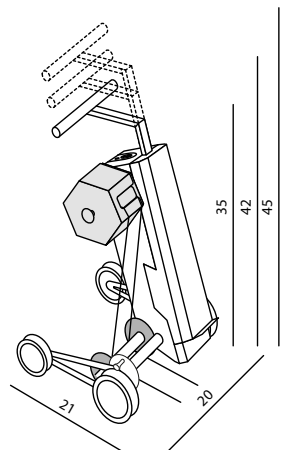
More massive control elements – for more comfortable operation of the machine

Quick-Release carrier replacement system – replace FORK or DRUM carrier with one movement in a few seconds

Reinforced construction of the chassis and the winder body

Stable 4-wheel chassis - easy winding of heavy and large fire hoses without straining the back and arms - the weight of the entire wound hose is borne by the winder, not the machine operator

Guide coil with integrated safety feature – immediately stops the hose winding at the end of the winding process



Type	ET-ROLLER 7
Battery type	2 x 18 V aku
For hoses up to the size of	6"
Types of hose carriers	2 FORKS / DRUM
The water draining function	yes
REVERSE function	yes
Charger included in the package	no
Weight of the device without the fire hose	87 lbs

INTERVENTION — FIRE HOSE WINDING — EQUIPMENT CLEAN-UP AFTER INTERVENTION



USE OF ELECTRIC FIRE HOSE ROLLERS

Winding process

GALLERY



Roller 6



Roller 7



Hose Protector



Hose draining



Quick-Release system

Hose attachment to the DRUM-type carrier



2 methods of winding

Roller 7 – static winding



Roller 7 – walking winding – the entire weight of the hose is supported by the 4-wheel chassis



Removing the wound hose from the roller



Roller 6 – static winding

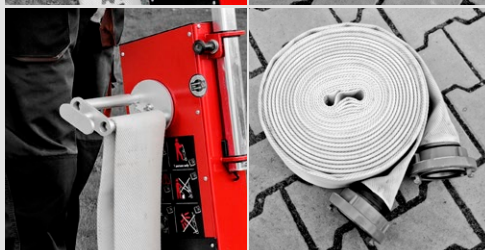


Roller 6 – walking winding – the weight of the hose is largely carried by the operator of the roller

Removable hose carrier – DRUM type



Removable hose carrier – 2 FORKS type



Winding the hose secured by the coupling

Winding the hose folded in half



Roller is powered by 2 x 18 V Milwaukee batteries



Hose Protector against hose abrasion, including the coupling (recommended to use during static winding)

Use of the roller for draining residual water from the fire hose



INTERVENTION — FIRE HOSE WINDING — EQUIPMENT CLEAN-UP AFTER INTERVENTION



Collapsible
Eccotarp Products

Catalogue

Detailed information

Web

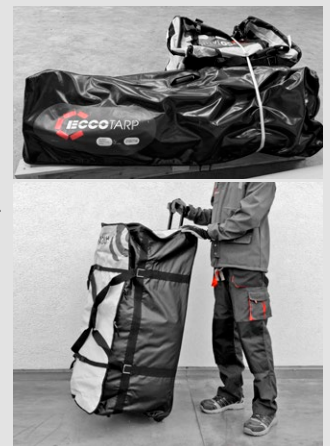
GALLERY

ECCOTARP PRODUCTS

- ▶ They are foldable and save space during transport to/from the intervention and during storage when not in use
- ▶ They are supplied in protective bags/covers to prevent damage from weather conditions or UV radiation
- ▶ They are made of chemically resistant PVC and other materials that withstand, for example, petroleum products, acids, alkalis, caustic solutions, etc., making them suitable for various environments with different chemical resistance requirements
- ▶ They can be easily cleaned and dried, keeping them ready for reuse
- ▶ They are reusable and have a long lifespan with proper use
- ▶ They can be repaired in case of damage – we offer professional advice, warranty service, or repair kits for minor damages (e.g. small scratches on used PVC)



The folding design of ECCOTARP products saves space during transport and storage





Storage and handling of dangerous substances

► Solving leaks in industrial or chemical warehouses,
production halls, workshops, etc.

PRODUCTS

- Collapsible Spill Bunds
- Folding Funnels
- Floor Barriers
- Self-supporting Tanks
- Drip Trays
- Sorbent Dispenser Carts
- Emergency Containers
- Drain Covers



Solving the leakage of dangerous substances in industry, warehouses, etc.

CONTAINMENT OF LEAKING LIQUIDS

STOP THE SPREAD OF LEAKING LIQUIDS

LIQUID LEAK CLEAN-UP

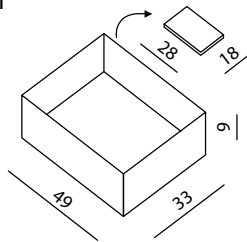


Spill Bunds

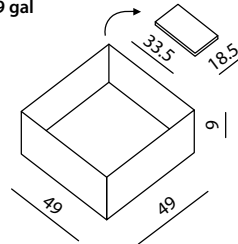
COLLAPSIBLE SPILL BUND CARGO

- ▶ Ideal for containing hazardous substances from drums, IBC containers, and barrels transported on pallets
- ▶ The special shape of the bund's design allows it to fit precisely around the pallet
- ▶ The folding corners of the bund enable it to unfold into a flat surface, making it easy to handle the pallet stored inside the bund
- ▶ The bund with containers on pallets can be placed on another pallet and easily moved, e.g. with a forklift – „sandwich“ folding system (pallet-bund-pallet)
- ▶ Chemically resistant material withstands petroleum products, alkaline substances, acids, and more
- ▶ Side handles for easy handling of the empty bund
- ▶ 2 size variants of the bund – CARGO (volume 56 gal) and DP (volume 79 gal)

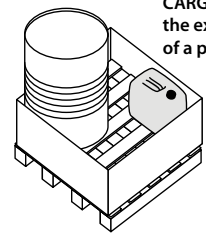
Volume of 56 gal



Volume of 79 gal



Spill bund CARGO copies the exact shape of a pallet



Catalogue

Detailed information

Web

GALLERY



The corners are not welded, allowing for easy assembly of the bund around a pallet

Easy handling thanks to the side handles



CONTAINMENT OF LEAKING LIQUIDS

STOP THE SPREAD OF LEAKING LIQUIDS

LIQUID LEAK CLEAN-UP



Spill Bunds

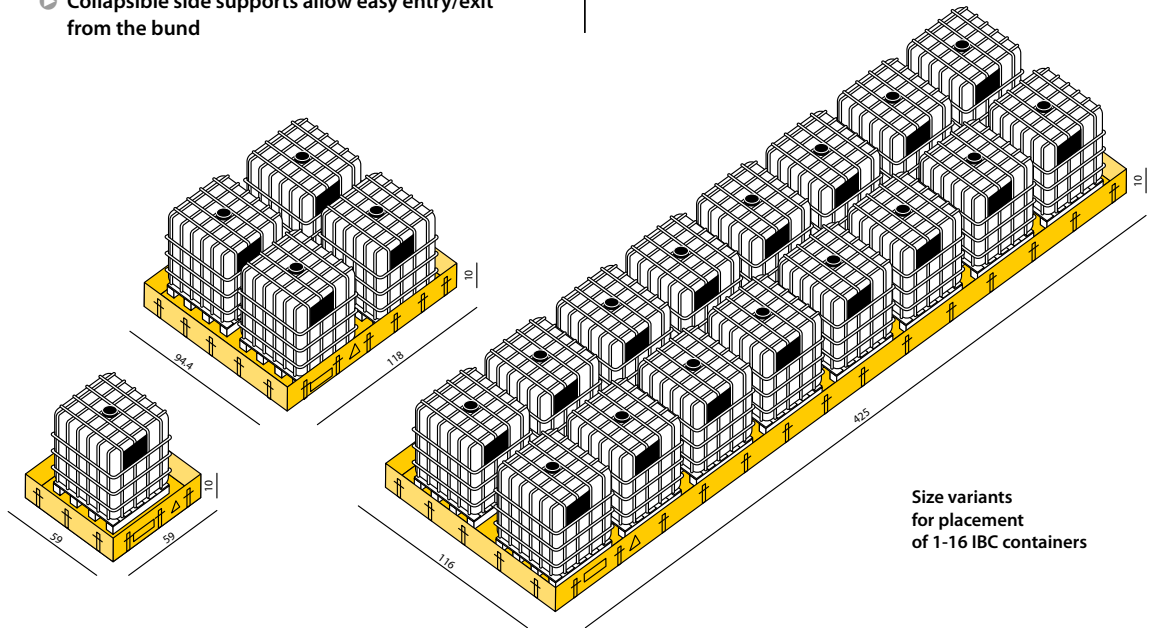
COLLAPSIBLE SPILL BUND UNIQUE

- ▶ Ideal for placement under racks storing hazardous materials in industrial or chemical storage facilities
- ▶ Also suitable for storing IBC containers, barrels, or canisters on pallets, etc.
- ▶ Two types of side supports – rigid and collapsible
- ▶ Collapsible side supports allow easy entry/exit from the bund
- ▶ Option to select material type and bund size based on customer requirements
- ▶ Available in sizes to hold up to 16 IBC containers
- ▶ Bund can be unfolded into a flat surface for convenient cleaning

Catalogue

Detailed information

Web



Size variants for placement of 1-16 IBC containers

GALLERY



Examples of use



Collapsible side support



CONTAINMENT OF LEAKING LIQUIDS

STOP THE SPREAD OF LEAKING LIQUIDS

LIQUID LEAK CLEAN-UP



Spill Bunds

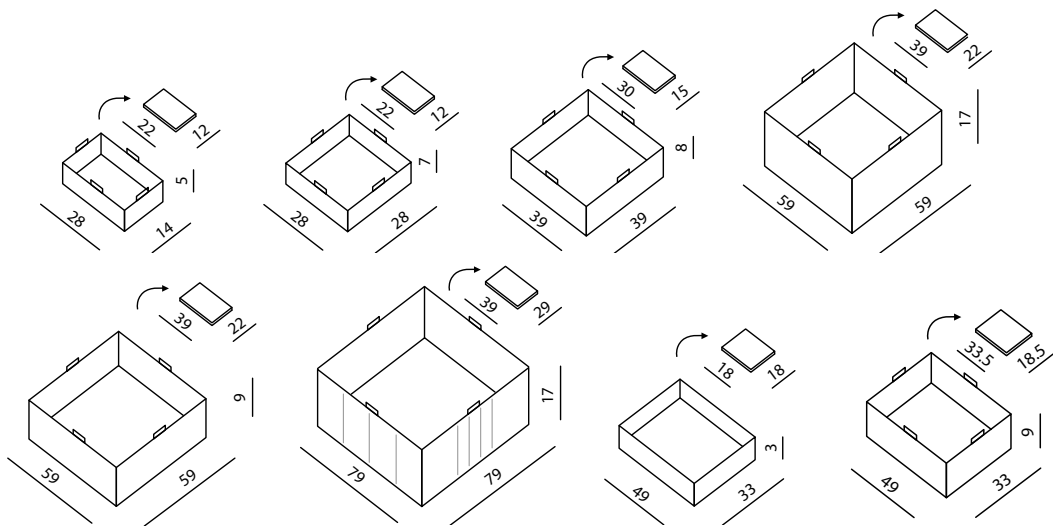
COLLAPSIBLE SPILL BUND ANTISTATIC

- ▶ The containment bund is made of a special antistatic PES/PVC material with high conductivity (electrical resistance is less than $10^9 \Omega$)
- ▶ Components made of non-sparking materials
- ▶ Ideal for containment of hazardous substances in environments with higher explosion hazard
- ▶ Shapeable design
- ▶ Easy handling thanks to integrated handles
- ▶ User-friendly lock mechanism with double seal closure

Catalogue

Detailed information

Web



GALLERY



Examples of use



CONTAINMENT OF LEAKING LIQUIDS

STOP THE SPREAD OF LEAKING LIQUIDS

LIQUID LEAK CLEAN-UP



Spill Bunds

COLLAPSIBLE SPILL BUND RAIL

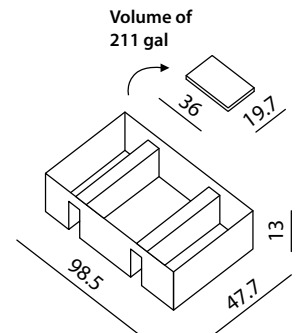
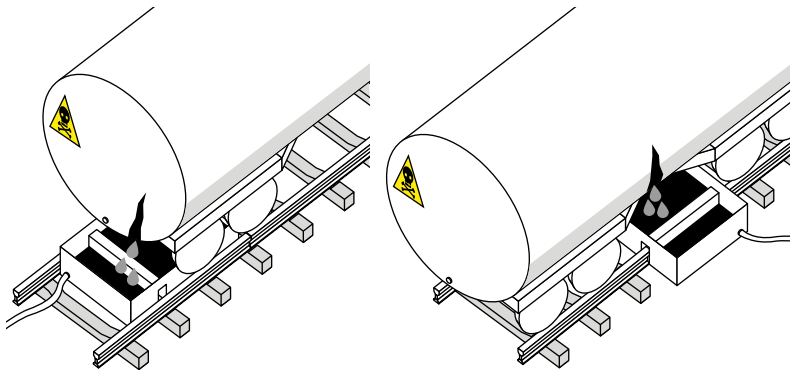
- ▶ Ideal for containing hazardous substance leaks on railway tracks – e.g. during railway accidents, at train stations, in railway depots, or during downtime of filled tanker cars
- ▶ Designed to accurately fit between the rail tracks
- ▶ Volume of 211 gallons
- ▶ Chemically resistant material
- ▶ Option to place the bund across the tracks or longitudinally in the inner space between the tracks
- ▶ Increased stability is provided by external side supports
- ▶ 3 brass drain holes GEKA PLUS 1 – 1 hole in each compartment of the bund

Catalogue

Detailed information

Web

Placement variants of RAIL bund in the track



GALLERY



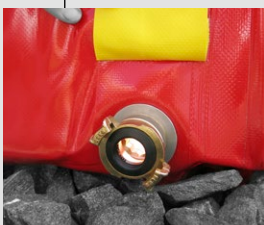
Example of use



Also suitable for use in the inner space between the tracks

Brass drain hole GEKA PLUS 1

Easy assembly



CONTAINMENT OF LEAKING LIQUIDS

STOP THE SPREAD OF LEAKING LIQUIDS

LIQUID LEAK CLEAN-UP

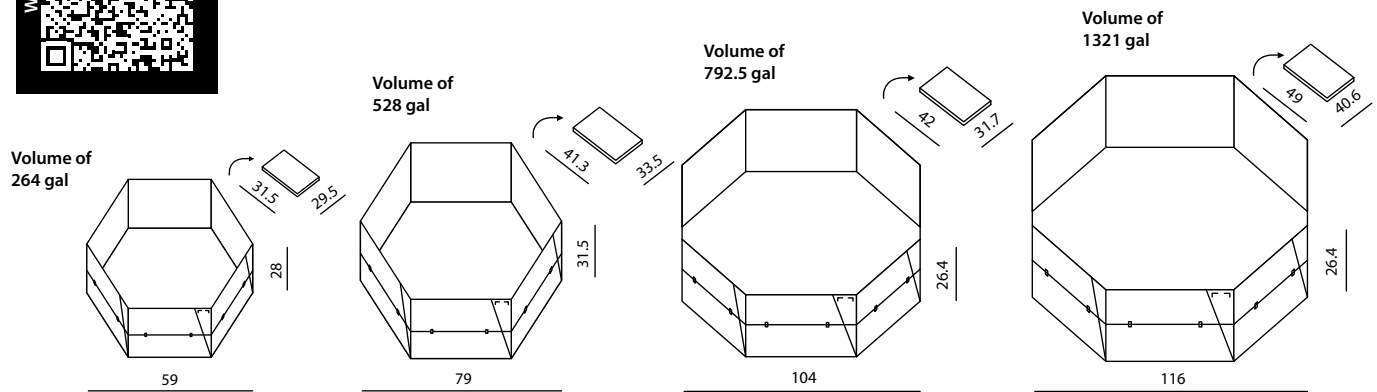


Self-supporting Tanks

Detailed information
 Catalogue
 Web

SELF-SUPPORTING TANK

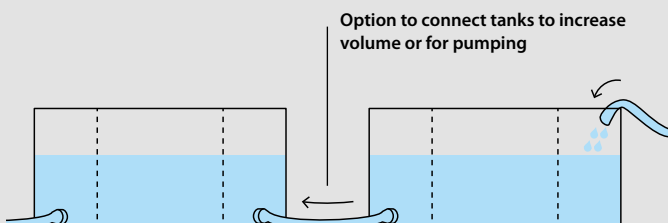
- ▶ Ideal as a collection containment tank for capturing large amounts of leaking hazardous liquids
- ▶ Also suitable for pumping leaking liquids during accidents or as a backup water source in hard-to-reach areas
- ▶ Welded side panels maintain the upright structure of the tank even when it is empty
- ▶ Side handles for easy manipulation
- ▶ Option to equip with one or more drain holes (when equipped with multiple drain holes opposite each other, the tank can serve as a flow-through system)
- ▶ Chemically resistant material (acids, oils, petroleum products, alkaline substances, etc.)
- ▶ Available in volumes from 264 to 1321 gallons



GALLERY



Examples of use



CONTAINMENT OF LEAKING LIQUIDS

STOP THE SPREAD OF LEAKING LIQUIDS

LIQUID LEAK CLEAN-UP



Emergency containers

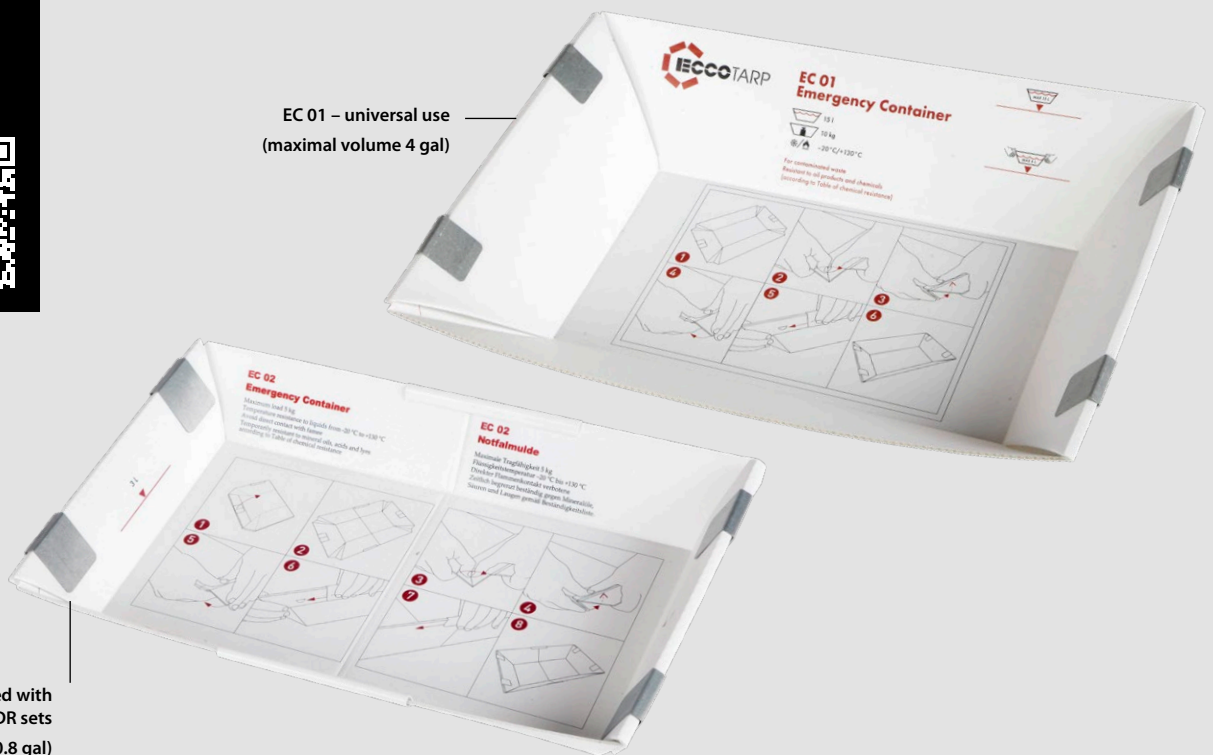
EMERGENCY CONTAINER EC

- ▶ Smaller foldable container made of a triple-layer polypropylene sheet
- ▶ Designed to capture liquid and solid contaminated or hazardous materials
- ▶ Material resists acids, alkalis, solvents, etc.
- ▶ Clever construction allows quick assembly without tools
- ▶ Design and low cost enable disposal of the container along with the waste

Detailed information

Catalogue

Web



EC 01 – universal use (maximal volume 4 gal)

EC 02 – constructed with regard to sizes of ADR sets (maximal volume 0.8 gal)

GALLERY



EC 02 in unfolded shape

Examples of use

Its bent edges serve as handles during manipulation

CONTAINMENT OF LEAKING LIQUIDS

STOP THE SPREAD OF LEAKING LIQUIDS

LIQUID LEAK CLEAN-UP



Emergency containers

Catalogue

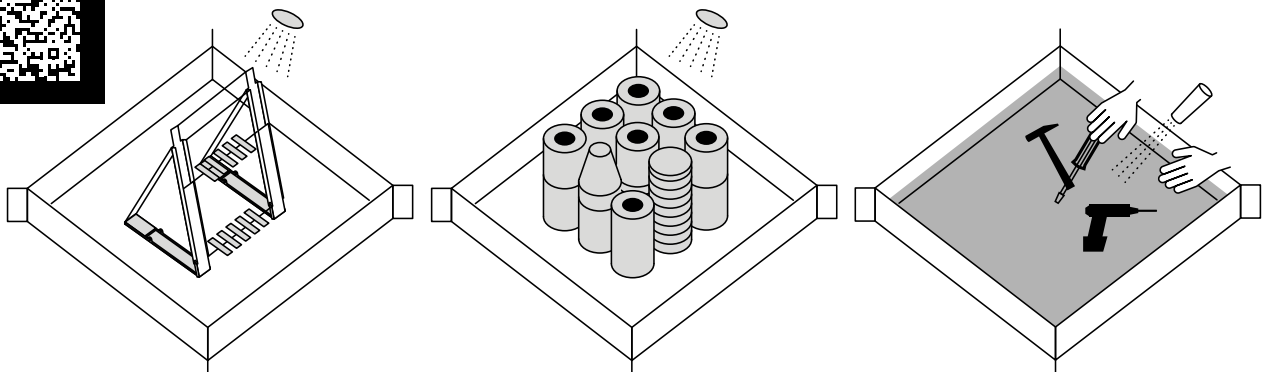
Detailed information

Web

COLLAPSIBLE FLEXIBLE UTILITY TRAY FASTER

- Simple spill tray for extremely fast containment of hazardous substances, e.g. in warehouses or workshops
- Rolling construction saves space during storage and speeds up deployment
- Also ideal for cleaning or decontaminating tools, equipment, maintenance tasks, and for storing canisters or other containers with hazardous substances
- Can be used as a substitute for a drain cover to protect drains from hazardous substances
- 2 types of construction – solid or segmented reinforcements
- Chemically resistant material
- Corner eyelets for hanging
- Available in multiple size variants – volume from 5 to 77 gallons

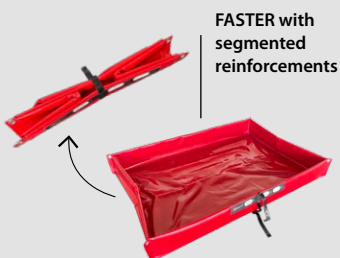
Use e.g. for washing, cleaning or decontamination of tools, instruments, spare parts, etc.



GALLERY



Examples of use



Special made segmented reinforcement



Examples of size variants



CONTAINMENT OF LEAKING LIQUIDS

STOP THE SPREAD OF LEAKING LIQUIDS

LIQUID LEAK CLEAN-UP



Folding Funnel

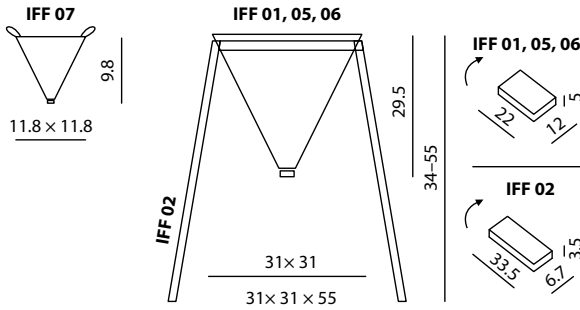
INDUSTRIAL FOLDING FUNNEL IFF

- ▶ Ideal for use in hard-to-reach areas, heights (e.g. broken pipes), etc.
- ▶ 4 handles at the corners for hanging and easy handling
- ▶ The funnel can be used separately or hung on a special stand
- ▶ Folding design saves space when storing
- ▶ Chemically resistant material
- ▶ 2 size variants – volume of 3 and 37 gallons

Catalogue

Detailed information

Web



GALLERY



CONTAINMENT OF LEAKING LIQUIDS

STOP THE SPREAD OF LEAKING LIQUIDS

LIQUID LEAK CLEAN-UP



Drip Trays

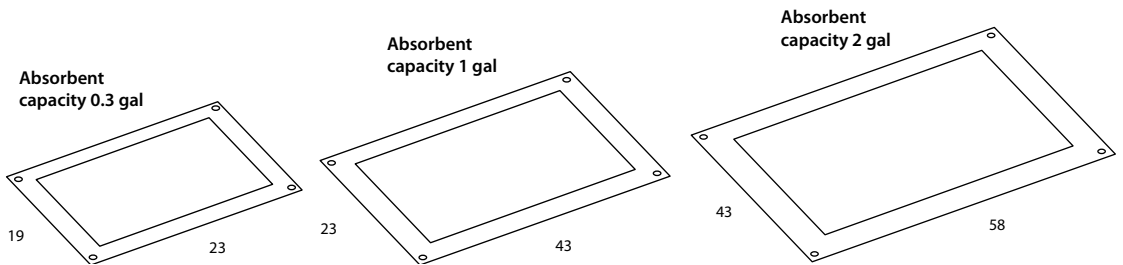
FOLDING DRIP COLLECTION TRAY WITH EXCHANGEABLE ABSORBENT LINING

- For catching small drips, such as from contaminated tools, spare parts, equipment, or containers with hazardous liquids
- Ideal for use in workshops, production facilities, chemical laboratories, etc.
- Eyelets in the corners for hanging up, e.g. under broken pipes, hydraulic lines, machines, or vehicles, etc.
- The largest dimension of the drip tray corresponds to the surface area of a pallet
- The protective grid captures larger trash and protects items placed on it from being covered in fibers from the absorbent insert
- Replaceable absorbent linings depending on the type of liquid being captured

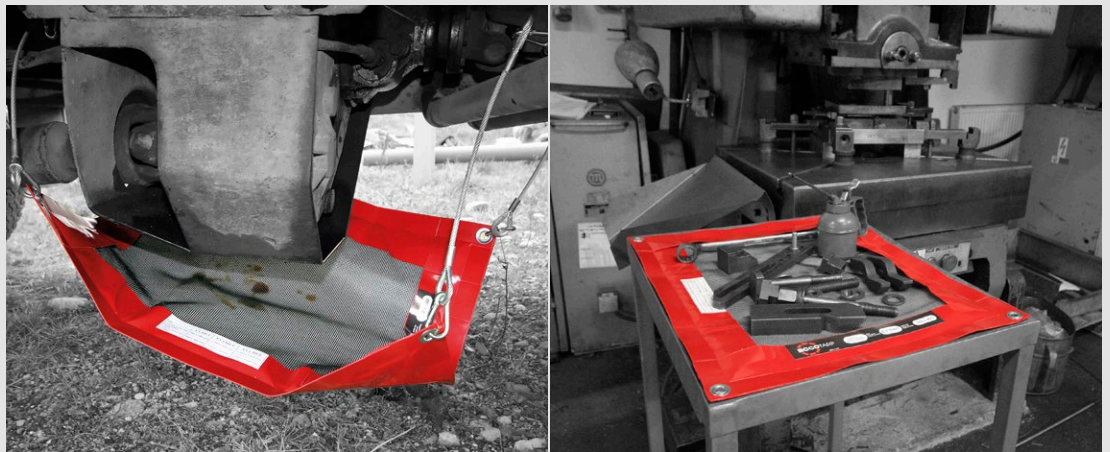
Catalogue

Detailed information

Web



GALLERY



Examples of use

Protective grid to capture large trash and protect placed items from being covered in fibers from the absorbent insert

CONTAINMENT OF LEAKING LIQUIDS

STOP THE SPREAD OF LEAKING LIQUIDS

LIQUID LEAK CLEAN-UP



Drain Covers

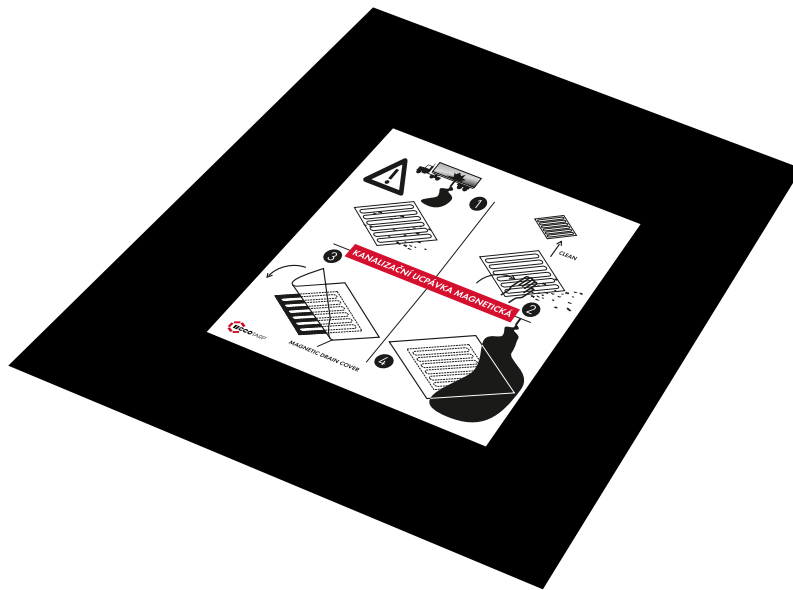
MAGNETIC DRAIN COVER MDC

- ▶ Effective protection of drains against the entry of leaked dangerous liquids
- ▶ Suitable for any steel or cast-iron drains
- ▶ Flexible, lightweight, and compact
- ▶ Made of isotropic magnetic foil with a thickness of 0.02 in
- ▶ Resistant to petroleum products, diluted acids, alkalis, etc.
- ▶ Available in 3 standard size variants
- ▶ Reusable

Catalogue

Detailed information

Web



GALLERY



Examples of use

Holding rack



Example of standby mode



CONTAINMENT OF LEAKING LIQUIDS

STOP THE SPREAD OF LEAKING LIQUIDS

LIQUID LEAK CLEAN-UP



Drain Covers

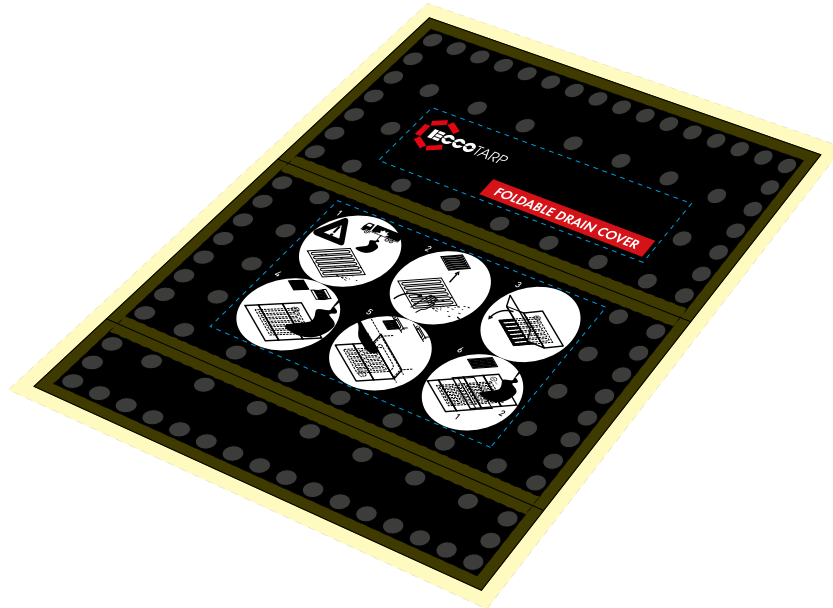
FOLDABLE DRAIN COVER FDC

- ▶ Effective protection for all steel and horizontal plastic sewer grates
- ▶ Usable also for grates with side gate
- ▶ Lightweight, compact, and reusable
- ▶ The sealing efficiency increases due to hydrostatic pressure
- ▶ Chemically resistant material

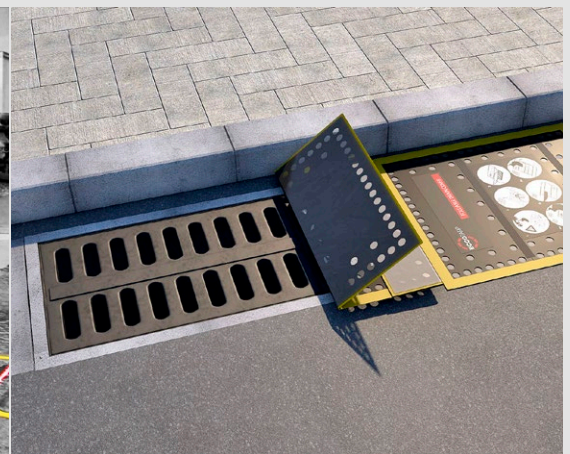
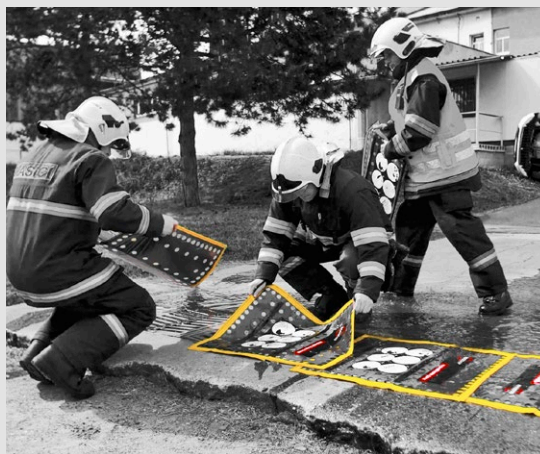
Catalogue

Detailed information

Web

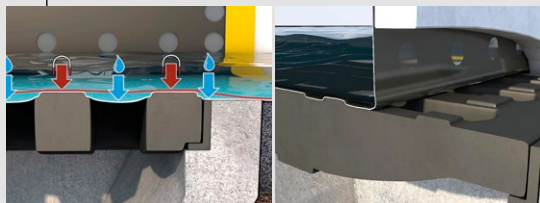


GALLERY



Examples of use

Detail of the hydrostatic pressure function



CONTAINMENT OF LEAKING LIQUIDS

STOP THE SPREAD OF LEAKING LIQUIDS

LIQUID LEAK CLEAN-UP



Floor Barriers

FLOOR ET BARRIER

- ▷ Reliably prevents the spread of spilled liquids on the floor
- ▷ Unlimited range and shape using corners and connecting parts
- ▷ The barrier is made of chemically resistant rubber, which is fixed to the floor with stainless steel anchoring plates
- ▷ Easy installation
- ▷ 100% impermeability when properly installed
- ▷ High durability – can be repeatedly driven over by a forklift or pallet truck
- ▷ Suitable for both indoor and outdoor use
- ▷ Chemically resistant silicone sealant to ensure perfect impermeability

Detailed information



Catalogue

Web



GALLERY



Example of use

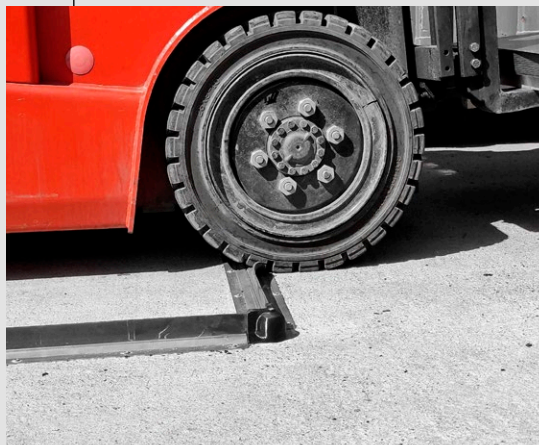


100% impermeability ensured by the silicone sealant used

Folding construction for creating any size and shape



The material is resistant to being driven over by vehicles



CONTAINMENT OF LEAKING LIQUIDS

STOP THE SPREAD OF LEAKING LIQUIDS

LIQUID LEAK CLEAN-UP



Sorbent Dispenser Carts

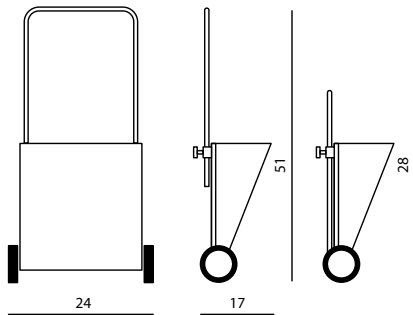
METAL SORBENT DISPENSER CART SDC 05

- ▶ For immediate application of absorbent
- ▶ Ideal for even application over large areas without unnecessary waste of absorbent
- ▶ Can be stored in a ready-to-use position at a suitable location, such as in a factory hall or warehouse, at a gas station, at an airport, in workshops, car repair shops, etc.
- ▶ For all commonly used types of absorbents
- ▶ Easily adjustable density and spread width
- ▶ The metal construction protects the absorbent in the hopper from moisture, ensuring the cart is always ready for immediate use without the degradation of the prepared spreading material
- ▶ Hopper capacity: 17 gal
- ▶ Weight of the cart without absorbent: 49 lbs

Detailed information

Catalogue

Web



GALLERY



Even distribution of absorbent

Examples of use

Manually adjustable parts

