



Ignition of electric batteries

► Prevention of ignition and liquidation of fires of Li-ion and other batteries

PRODUCTS

- Temperature Alarm
- Quarantine Container for Electric Cars
- Fire Blanket
- Self-Supporting Tanks



Prevention of ignition and liquidation of fires of Li-ion and other batteries



PREVENTION OF ELECTRIC BATTERY IGNITION – TEMPERATURE ALARM

- ▶ Ideal for preventing the ignition of Li-ion, solid-state, gel, and other battery types
- ▶ Suitable for use in electric vehicles, e-scooters, e-bikes, and electric wheelchairs
- ▶ Temperature sensors continuously monitor the battery's temperature
- ▶ The device sends regular reports on battery temperature via SMS or email
- ▶ Immediate alert upon exceeding the critical temperature threshold
- ▶ Timely response to warning alerts can protect property

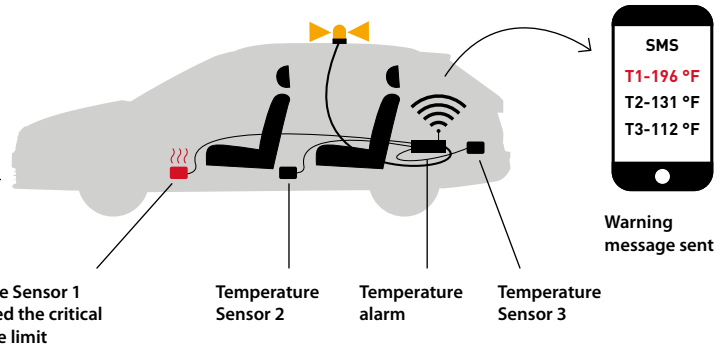
Temperature alarm

Detailed information

Catalogue

Web

Recommended placement of the Temperature alarm and Temperature sensors in the vehicle



GALLERY



Temperature alarm incl. accessories



Beacon indicating that the set temperature has been exceeded



Temperature limit, overrun alarm – the device is sending a warning SMS

Temperature alarm situated in a car luggage compartment



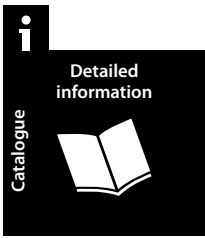
3 temperature sensors

Warning message sample



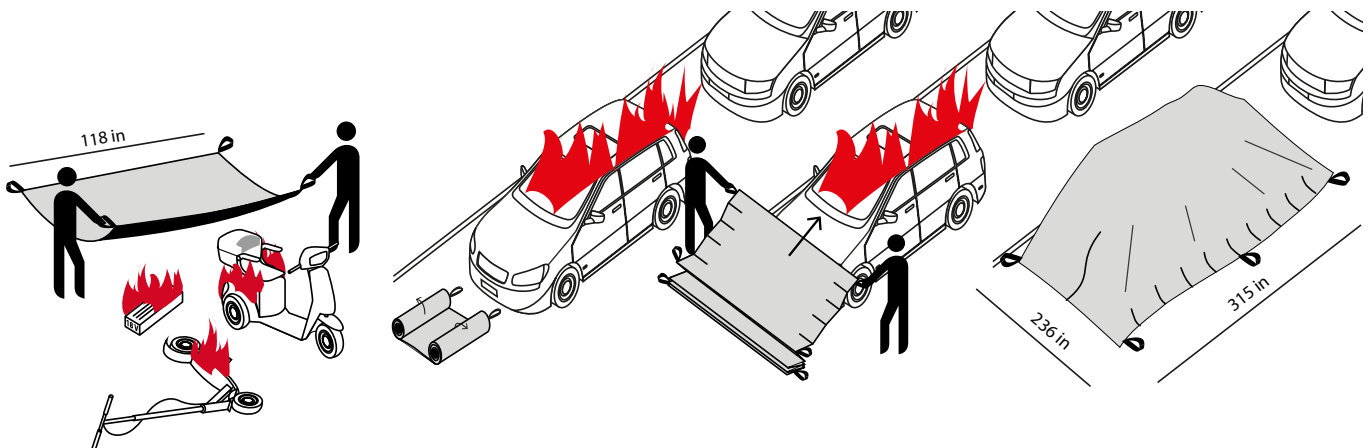


Fire blanket



FIRE BLANKET

- ▷ Instantly prevents the spread of fire, toxic fumes, and smoke during vehicle fires (especially electric vehicles), electric scooters, or other property fires
- ▷ Ideal for use before the arrival of professional emergency services
- ▷ Timely placement of the fire blanket over the burning object protects surrounding property from destruction
- ▷ Available in 3 material versions with **extreme temperature resistance up to 3632 °F**
- ▷ **Special covered seam** protected against potential ignition
- ▷ Side handles for easy and safe handling
- ▷ 2 size options:
 - ▶ 236 × 315 in (comfortably covers a car)
 - ▶ 118 × 118 in (for extinguishing smaller objects – electric scooters, mopeds, batteries, etc.)
- ▷ Supplied in a practical backpack with shoulder straps or in a hanging metal box for permanent placement on the wall near high-risk areas (e.g. charging stations, underground garages, bike storage rooms, tunnels, etc.)



GALLERY



Example of use

Fire blanket in a metal wall box for immediate use at charging stations in underground garages/collectories



Wall-mounted box for a fire blanket



Fire blanket 118 × 118 in in a practical backpack





Collapsible quarantine container

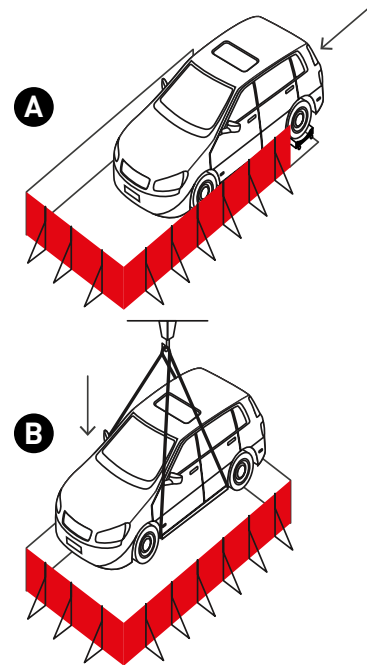
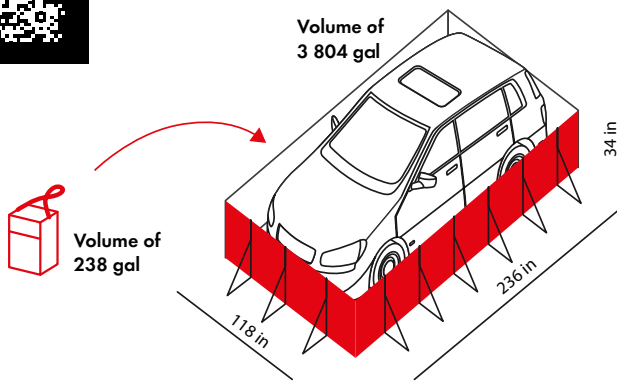
Detailed information

Catalogue

Web

QUARANTINE MEASURES TO PREVENT RE-IGNITION OF EV BATTERIES – COLLAPSIBLE QUARANTINE CONTAINER FOR ELECTRIC CARS

- ▶ For quarantine storage of damaged electric vehicles or other electronic devices after the initial extinguishing of battery fires
- ▶ Prevents re-ignition of damaged batteries by submerging them in water for a necessary duration
- ▶ Placing the vehicle into the container by pushing it into the tank area through lowered sidewalls using handling carts (A) or with a crane (B)
- ▶ Applicable for intervention sites, quarantine locations, underground garages, and parking areas
- ▶ Highly durable, self-extinguishing material allows for repeated use of the quarantine container
- ▶ Foldable structure saves space during transport or storage



GALLERY



Assembly tutorial



Container prepared for flooding of the car



Placement of a damaged electric vehicle into the quarantine container



Detail of side support



Container filled with water. Volume 3 804 gal



Manual transportation of a damaged electric vehicle with the help of transport trolleys



Transport tank shape



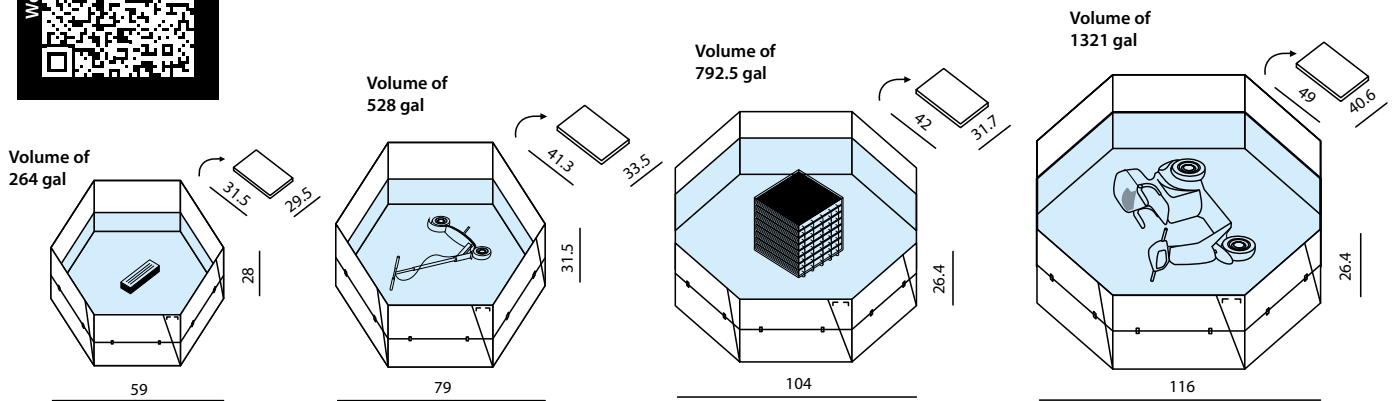
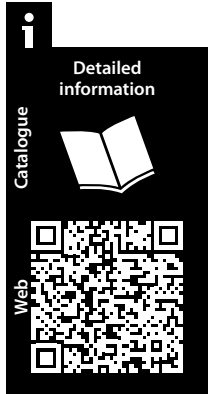


Self-supporting
Tanks

PREVENTION → INTERVENTION → QUARANTINE

QUARANTINE MEASURES TO PREVENT RE-IGNITION OF BATTERIES – SELF-SUPPORTING TANK

- Suitable for extinguishing/quarantine storage of damaged energy storage systems, e-scooters, electric wheelchairs, etc
- Use by placing the damaged device in the tank and submerging it in water for the necessary duration (days/weeks)
- Chemically resistant material
- Drain hole for easier removal of contaminated water
- Side handles for easy handling
- Reusable



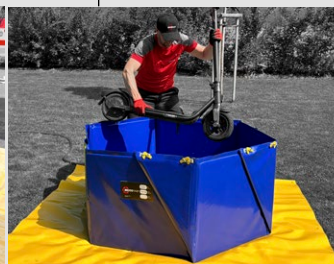
GALLERY



The tank can also be used as a utility water tank



Extinguishing damaged electric scooters



Extinguishing a damaged PV battery storage



Transport/storage shape of the tank



Easy handling thanks to side handles

