

Foldable Dispenser Cart SDC 03

Foldable Dispenser Cart SDC 03 Plus



INSTRUCTIONS FOR USE

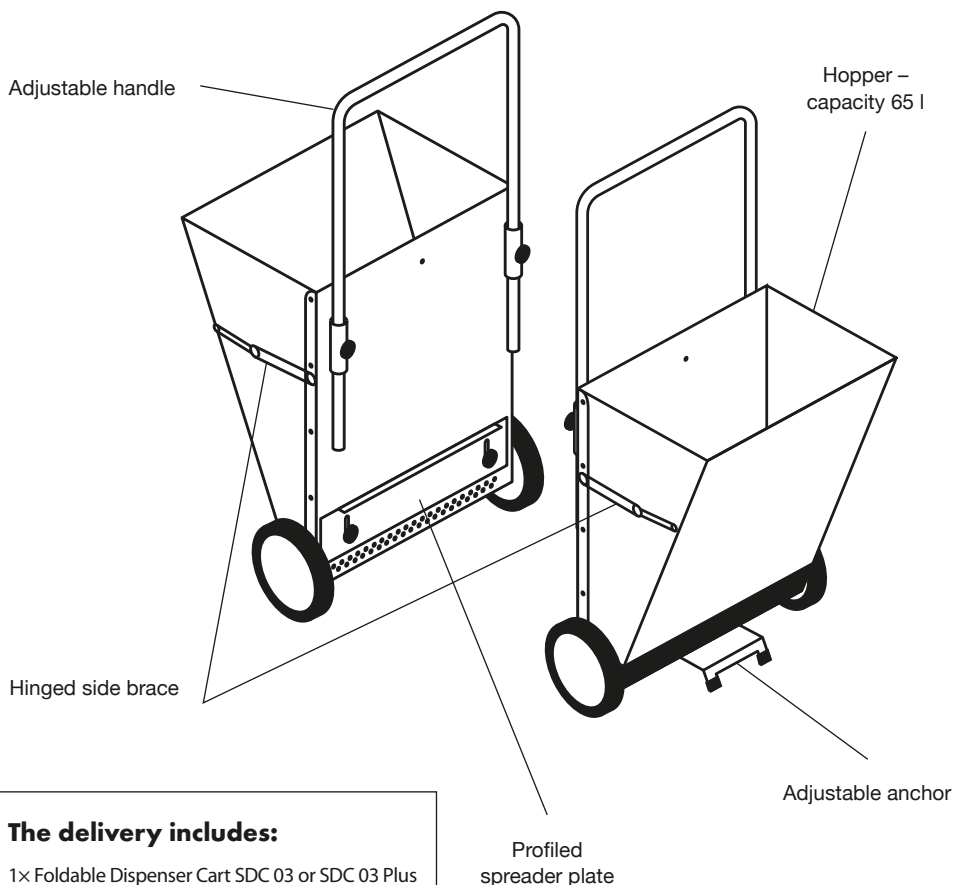
EN



This document describes the operation and characteristics of Foldable Dispenser Cart SDC 03 and Foldable Dispenser Cart SDC 03 Plus (hereinafter „cart“ or „cart SDC 03“ or „cart SDC 03 Plus“). It contains important information about how to use the cart properly and how to increase its reliability and life. This document must always be available in the place where the carts are used. Keep it together with the cart at all times. The operator is responsible for using the carts safely and in compliance with the instructions in this manual, which applies to any third persons as well. If you have any doubts about the correct use of the carts, please contact the manufacturer or an authorized dealer.

Foldable Dispenser Cart is intended for use wherever it is necessary to apply loose sorbents in liquidation of leakage of undesirable or dangerous liquids (eg. petroleum products, liquid chemicals). The cart is portable and is designed for all commonly used types of sorbents – from heavy minerals to light granules, including crushed biological fibrous materials – up to a grain size of 8 mm. It allows you to dose the spreading density and select the track width up to 440 mm.

Foldable Dispenser Cart



The delivery includes:

- 1× Foldable Dispenser Cart SDC 03 or SDC 03 Plus
- 1× Instructions for use, incl. warranty certificate

Specification of types of Foldable Dispenser Carts

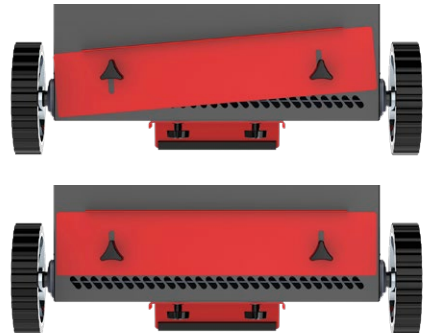
Common signs of Foldable Dispenser Carts SDC 03 and SDC 03 Plus

1. The carts are designed as fast solution for emergency situations. They are intended for removal of hazardous substances leaking into the environment.
2. The construction of the cart is collapsible, thanks to which the cart is especially suitable for use on the road, eg. by rescue and emergency units.
3. They are made of a chemically resistant material – see Chemical resistance certificate, p. 7.
4. The carts have adjustable handle ranging from 750 to 1300 mm. The handle has a stop preventing the full extension. It is made of AISI 304 stainless steel with plastic coated grip.
5. The maximum filling capacity of the hopper is 65l.
6. The density of the sorbent application and the track width (maximum 440 mm) can be regulated by means of the sorbent spreading cover.
7. Adjustable anchor ensures stability for reliable filling of the cart's hopper without any help of other person. In hidden position it is only 190 mm, which is also the width of the cart folded for storage.
8. Hinged side brace ensures safe opening of the hopper or its folding to minimal dimensions.
9. Strength materials, stainless steels, solid polyurethane, industrial bearings, durable surface treatment and treatments against dust damage to the mechanism are used in production.
10. Reinforcement of parts subject to stress.
11. The range of temperatures for the use of the carts is from -30 °C to +70 °C.

Design differences of the carts SDC 03 and SDC 03 Plus

SDC 03

1. Adjustable anchor – **manually operated** – to adjust the anchor, it is necessary to manually loosen and extend the anchor and then tighten the adjusting nuts on the bottom of the cart.
2. Profiled spreader plate – **manually operated** – adjustment and securing is done manually using adjusting nuts. The operator always adjusts the track width and the amount of sorbent manually. He also closes the sorbent cover manually after finishing work.

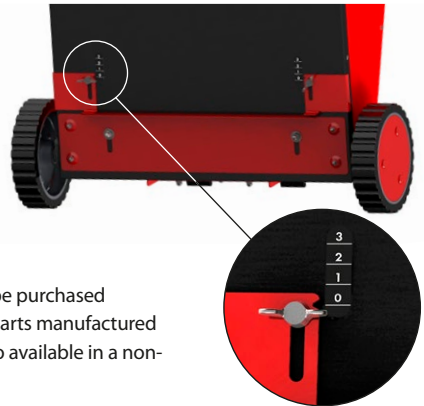
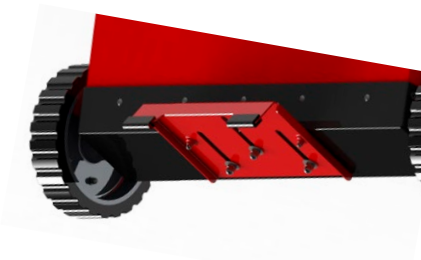


SDC 03 Plus

To increase operator comfort, the product can be supplemented with these improvements:

1. Adjustable **magnetic anchor** allows **control by the toe of the shoe** and effortlessly ensures a quickly active position of the support. The advantage is **easy handling without the need to manually lock the adjustable nuts** on the bottom of the cart. The anchor can be moved to the storage position again by simply moving the anchor back with the toe of the shoe.
2. **Magnetic spreader plate with stops**. The cover is adapted for **control by the toe of the shoe**. The magnets ensure its permanent position **without the need to manually lock the adjustable nuts**. In addition, it is supplemented with stops for setting the repeatable position of the cover during spreading. This is very prompt and convenient for the operator. After setting the stops to the set sorbent spreading density and track width, the cover can be moved to the standby position by simply moving the cover up or down with the toe of the shoe.

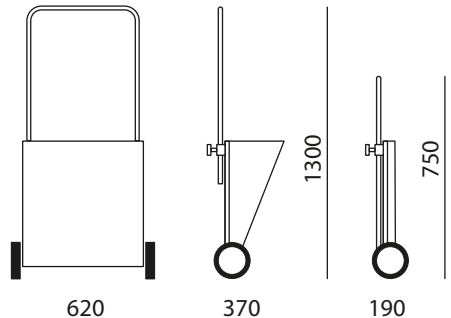
Recommendation – we recommend the magnetic cover especially for applications of very loose sorbents, which are characterized by spontaneous spillage even in the rest position of the cart and during transport to places outside the application of the sorbent. In these cases, it is appropriate and expedient to close the cover completely with a foot and then open it before sprinkling. The stops always ensure the same position of the spreading cover.



The magnetic elements listed in the version SDC 03 Plus can be purchased separately to improve the version SDC 03 (note: only SDC 03 carts manufactured from 1. May 2021 can be upgraded in this way). The cart is also available in a non-folding version under the code SDC 05.

Technical details

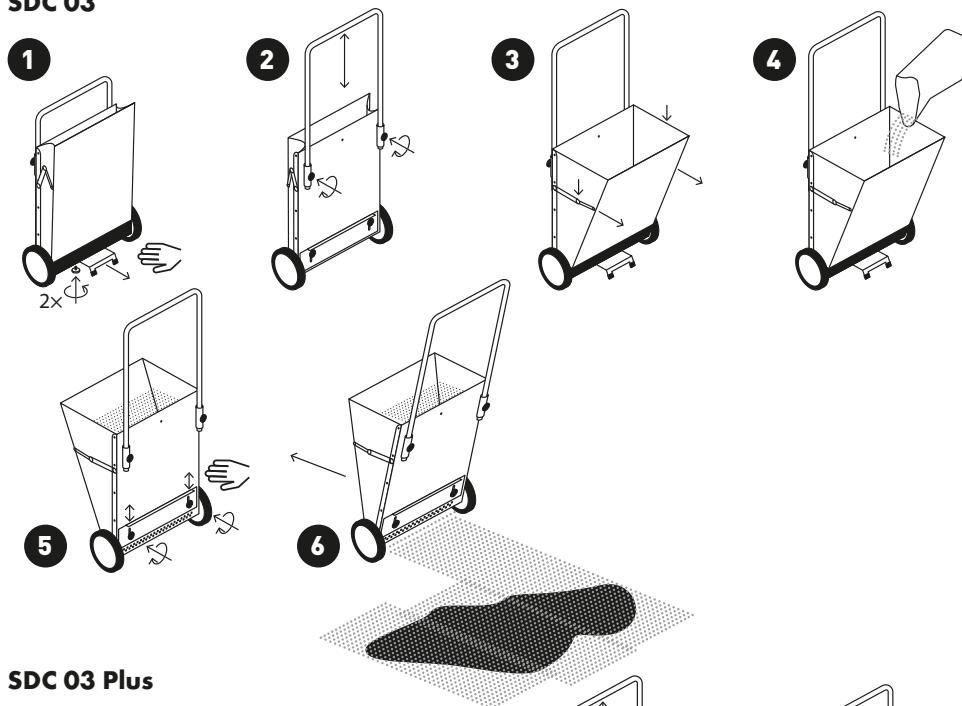
Dimensions when deployed (W × D × H)	620 × 370 × 1300 mm (with the handle extended)
Dimensions when dismantled (W × D × H)	620 × 190 × 750 mm (height with inserted handle)
Wheel diameter	180 mm
Maximum volume	65 l
Pack size (W × D × H)	780 × 730 × 275 mm
Weight of empty cart	13 kg



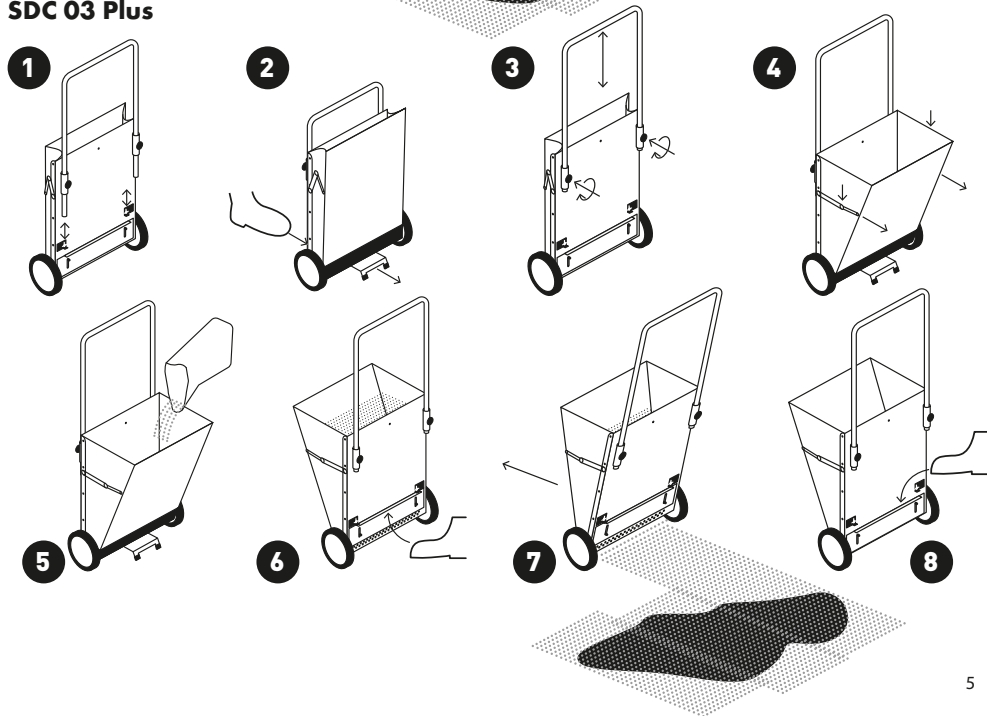
Instructions for use of the cart

When using the cart, observe these instructions as well as all the safety notices herein.

SDC 03



SDC 03 Plus



Handling instructions and safety warnings

1. The cart is a tool for spreading any kind of granular sorbents up to 8 mm grain size - from heavy to light mineral granules, including shredded fibrous biological materials (usage of some very light fibrous materials consult with the supplier).
 2. For operational use, dry sorbents can be left directly in the trolley. Eg. there, where it is appropriate to shorten the application time of the sorbent (chemical storage).
 3. **Attention! For the application of de-icing salt:** Although the cart is preferably designed for even spreading of sorbents, it can also be used for the application of de-icing salt under certain conditions. Due to the fact that salt has specific properties that can damage the cart if used incorrectly (hygroscopic and chemically aggressive), the manufacturer cannot accept liability for damage if used for these purposes. If you still decide to use the cart for this purpose, make sure that the salt is dry and immediately after use clean thoroughly. Even small salt residues can cause corrosion on metal parts or seizure of bearings.
 4. Do not put the product near fire or any other sources of heat.
 5. Observe the safety measures for working with hazardous liquids and with substances harmful to the environment.
 6. Make sure you observe any necessary precautions regarding personal safety, such as the use of protective equipment.
-

Maintenance and storage

After use the product must be washed with proper neutralization detergent (in the case of aggressive substances) and lukewarm water or another suitable detergent. We recommend storing the cart folded in transport form to prevent damage when not in use. For long-term storage, place the product in a dry place out of the reach of UV radiation.

Important contact information

Manufacturer and qualified service:

Metal Arsenal s.r.o.

Poděbradova 1920

289 22 Lysá nad Labem

Czech Republic

info@eccotarp.com

T: +420 737 802 153

T: +420 777 472 640

Repair

Any repair work must always be done by the manufacturer's qualified personnel. In the event of unprofessional repair or design change, the product's proper operation cannot be guaranteed. If you want to request repair, order accessories or lodge a complaint, please, contact your qualified supplier.

Warranty conditions

The warranty period is indicated in the warranty certificate on the last page of these Instructions for use. The warranty period is 24 months and begins on the day indicated in the warranty certificate. The warranty does not apply to the normal wear and tear or to damage caused by improper use or by the instructions in this manual not being observed.

Disposal

The product must be disposed of in compliance with applicable legal regulations and with the user's internal directives.

Chemical resistance certificate

**Applicable to
Foldable Dispenser
Carts SDC 03
and SDC 03 Plus.**

Resistance levels:

- A) resistant
- B) resistant for at least 3 hours
- C) non-resistant

Name of substance	Chemical formula	Resistance level at the temperature of 20 °C	Resistance level at the temperature of 60 °C
LIQUID SUBSTANCES			
Acetone	CH ₃ COCH ₃	C	C
Acetonitrile	CH ₃ CN	A	A
Ammonia	NH ₃	A	A
Benzene	C ₆ H ₆	B	B
Tar	mixture	C	C
Dimethylformamide	C ₃ H ₇ NO	A	A
Ethanol	C ₂ H ₅ OH	B	B
Ethylene glycol	C ₂ H ₄ O ₂	B	B
Ethyl acetate	C ₄ H ₈ O ₂	C	C
Ethylbenzene	C ₈ H ₁₀	A	A
Formaldehyde	CH ₂ O	B	B
Chlorine	Cl ₂	C	C
Chloroform	CHCl ₃	C	C
Transformer oil		A	A
Gear oil		B	B
SAE 40 oil		A	A
Lubricating oil		A	A
Silicone oil		A	A
Turpentine distillates		B	B
Hydrochloric acid	HCl	B	B
Nitric acid	HNO ₃	B	B
Phosphoric acid	H ₃ PO ₄	A	B
Formic acid	HCOOH	B	B
Acetic acid	CH ₃ COOH	A	B
Sulphuric acid	H ₂ SO ₄	A	B
Sulphurous acid	H ₂ SO ₃	A	B
Isopropyl alcohol	C ₃ H ₈ O	B	B
Methanol	CH ₃ OH	B	B
Methylene chloride	CH ₂ Cl ₂	C	C
Sodium chloride solution 20%	NaCl	A	A
Mercury	Hg	A	A

Name of substance	Chemical formula	Resistance level at the temperature of 20 °C	Resistance level at the temperature of 60 °C
Hydrogen sulphide	H ₂ S	A	B
Styrene	C ₈ H ₈	A	A
Pentane	C ₅ H ₁₂	A	A
Toluene	C ₆ H ₅ CH ₃	C	C
Salt water		A	A
Water	H ₂ O	A	A
Hydrogen peroxide	H ₂ O ₂	A	A
Kerosene	C ₉ -C ₁₆	C	C
SOLID SUBSTANCES			
Ammonium acetate	CH ₃ COONH ₄	A	A
Borax	Na ₂ [B ₄ O ₅ (OH) ₄]-8H ₂ O	A	A
Sugar	mixture	A	A
Potassium cyanide	KCN	A	A
Ammonium nitrate	NH ₄ NO ₃	A	A
Calcium nitrate	Ca(NO ₃) ₂	A	A
Phenol	C ₆ H ₅ OH	B	B
Ammonium phosphate	(NH ₄) ₃ PO ₄	A	A
Potassium nitrate	KNO ₃	B	B
Potassium	KOH	B	B
Sodium hydroxide	NaOH	B	B
Ammonium chloride	NH ₄ Cl	A	A
OPERATING FLUIDS			
Petrol		B	B
Diesel fuel		B	B
Motor oil		B	B
Methyl tert-butyl ether (MTBE)	C ₅ H ₁₂ O	B	B
Hydraulic oils		B	B

Notice:

Foldable Dispenser Carts are resistant to the substances listed above. However, given the almost unlimited number of potential combinations of chemicals plus the influence of factors such as concentration and temperature, this list does not claim to be definitive and is only intended for informative purposes in predicting the behaviour of the chemicals concerned. Compatibility with the listed substances cannot be entirely guaranteed. Neither the manufacturer nor the distributor provides any warranty, nor do they accept any responsibility for resultant damage. For a reliable estimate of the level of resistance to a specific substance, we recommend you to test small samples using miniature laboratory funnels which can be provided upon request by the manufacturer.

Attention! This product is not intended for use with abrasive materials and de-icing salt! The cart must be cleaned after each use.



Foldable Dispenser Carts are not intended for long-term storage of retrieved spilt substances. They were developed first and foremost for rapid use in emergencies, for capturing hazardous substances during the time immediately before its correct disposal.

Warranty Certificate



This product is guaranteed for 24 months.

This warranty covers:

for defects caused by a manufacturing defect of the material used, in particular a leak at the welds, a defect in the fittings and any other damage, not caused by demonstrable mishandling by the user or any modification of the product.

This warranty does not cover:

damages caused by improper handling and use of the product and failure to follow the "user manual" – eg. mechanical damage of the product or placing the product near open flames, and other inappropriate uses.

The manufacturer is not liable for any direct or indirect damage caused by other than the recommended use of the product.

Complaints must be applied within 24 months of purchase from your supplier. When applying please provide your complaint with full details - product serial number, proof of purchase, appropriate photographic documentation and a detailed description of the circumstances in which a fault has occurred.

Product name:

Production code:

Date of sale:

Failure description:

Stamp and signature:

In case of problems, please contact: