

Collapsible containment tank



INSTRUCTIONS FOR USE

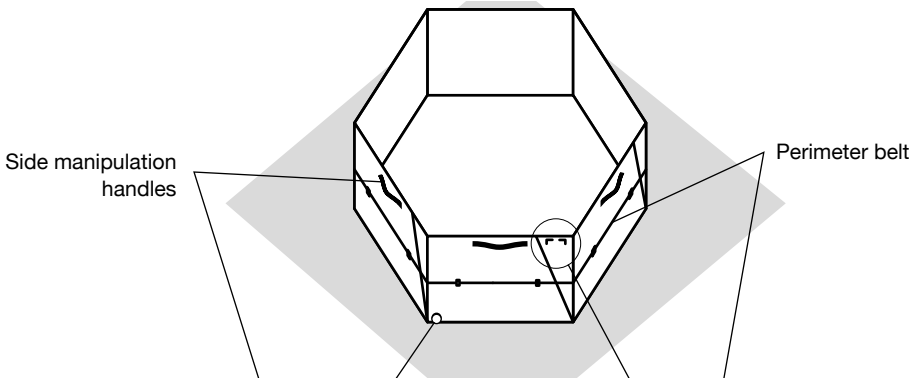
EN



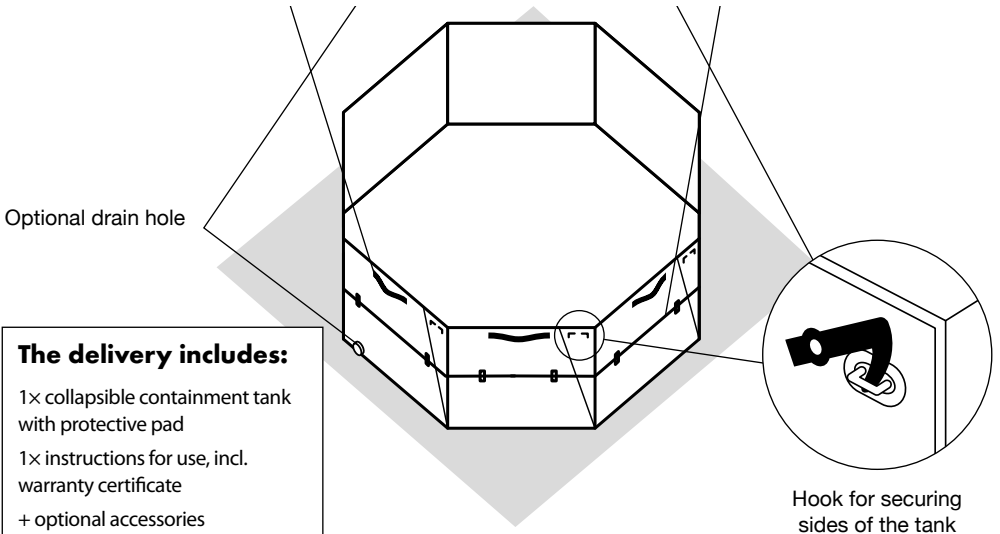
This document describes the operation and characteristics of Collapsible containment tank (hereinafter „tank“ or „bund“). It contains important information about how to use the tanks properly and how to increase their reliability and life. This document must always be available in the place where the tanks are used. Keep it together with the tanks at all times. The operator is responsible for using the tanks safely and in compliance with the instructions in this manual, which applies to any third persons as well. If you have any doubts about the correct use of the tanks, please contact the manufacturer or an authorized dealer.

Collapsible containment tanks Eccotarp are designed to be used as utility water reservoirs or collection tanks for hazardous substances. They are suitable for pumping liquids from accidental spillages or as a backup water reservoir at difficult to reach areas when extinguishing fires and everywhere where there is no direct source of water. Tanks are made in variants Hexagon and Octagon. They are portable, storable and easy to shape.

Collapsible containment tank Hexagon



Collapsible containment tank Octagon



The delivery includes:

- 1× collapsible containment tank with protective pad
- 1× instructions for use, incl. warranty certificate
- + optional accessories as per agreement

Technical details

Collapsible containment tanks

Type	ET HX 1000	ET HX 2000	ET OCT 3000
Volume (l)	1000	2000	3000
Diameter inscribed/described (mm)	1300/1500	1732/2000	2300/2650
Height (mm)	700	800	670
The width of one side (mm)	750	1000	960
Weight (kg)	30	50	55
Pack Size (mm)	800 × 750 × 150	1050 × 850 × 150	1070 × 805 × 130

Accessories

Bag – part of the product on standard models	yes	yes	yes
Perimeter belt – part of the product on standard models	yes	yes	yes
Protective pad – part of the product on standard models	yes	yes	yes
Drain hole C52/B75/other on request	yes	yes	yes
Ball valve C52/B75/other on request	yes	yes	yes

General information



When using the tanks, observe these instructions as well as all the safety notices herein.

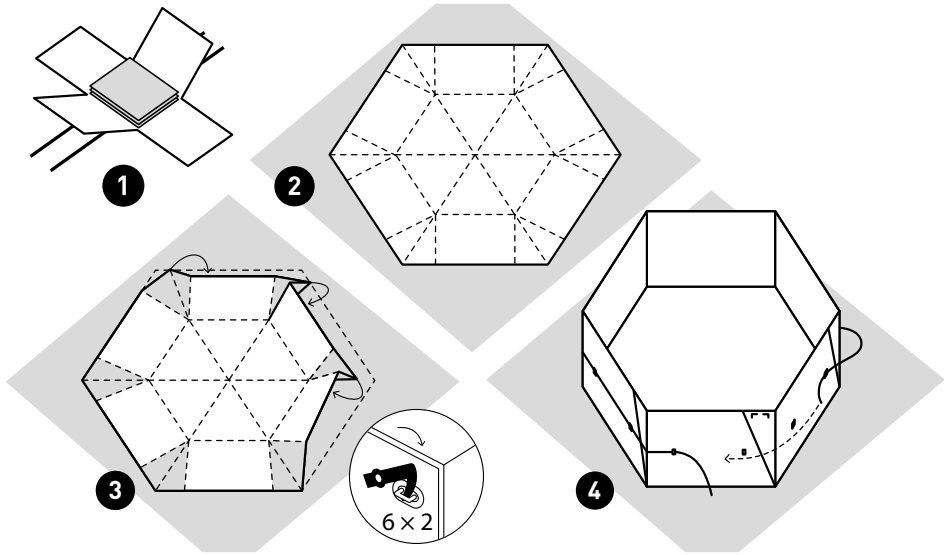
1. The tanks are designed as fast solution for emergency situations. They are intended for catching hazardous substances leaking into the environment or like backup water reservoirs.
2. They are produced in 3 sizes – volume 1000, 2000 or 3000 l.
3. The tanks are self-supporting.
4. They are made of a chemically resistant material – PVC with a protective proofing layer (PES/PVC 680 g/m²) – see Chemical resistance certificate, p. 7.
5. The tanks are not intended for long-term storage of aggressive substances.
6. The range of temperatures for the use of the tanks is from -30 °C to +70 °C.
7. The tanks have side handles for easy carrying and perimeter belt to strengthen the shape of the structure.
8. As a standard, the tanks are delivered in transport bags.
9. In order to increase the life and the resistance of the tanks we recommend using the protective pad which is part of the product on standard models.
10. The tanks can be fitted with a drain hole and a ball valve on request.

Instructions for putting the tank into the ready-to-use position

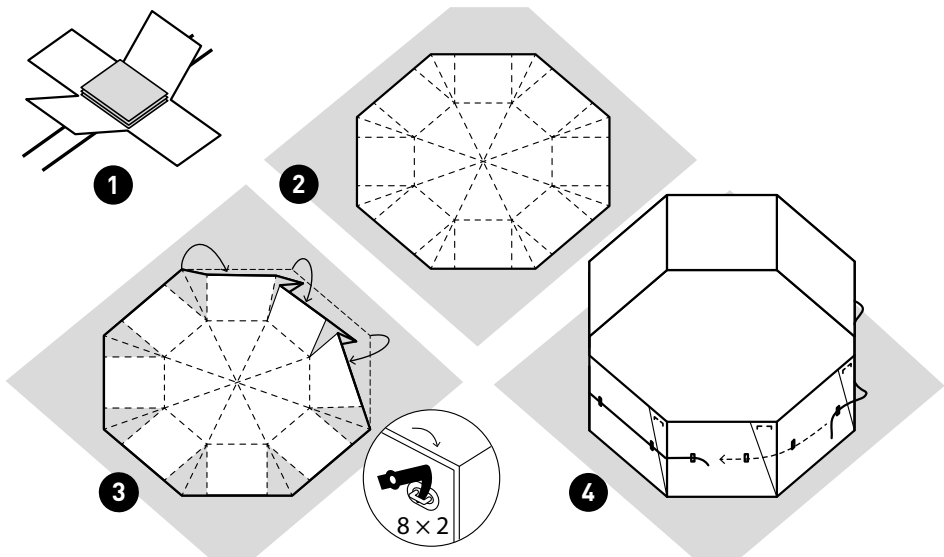


Take the tank out of the transport bag. Unfold it so that it is flat. Lift the sides and secure the corners with the yellow hooks to simply make a tank. Thread the perimeter belt through the entire loops of the tank with the appropriate loops and fasten them with carabiners at the ends.

Illustrated instructions for unfolding the Collapsible containment tank Hexagon



Illustrated instructions for unfolding the Collapsible containment tank Octagon



Handling instructions and safety warnings

1. Put the tank onto a flat surface, if possible.
 2. Make sure there are no sharp objects under the tank, such as pieces of broken glass, nails, sharp stones, etc., which might mechanically damage its bottom.
 3. Do not put the product near fire or any other sources of heat.
 4. The range of temperatures for the use of the tanks is from -30 °C to +70 °C.
 5. The tanks are resistant to a large number of different liquids and loose materials – see the Chemical resistance certificate, p. 7.
 6. The tanks are not intended for long-term storage of aggressive substances.
 7. Do not move or pull a filled tank on the ground – the manufacturer's warranty does not cover mechanical damage.
 8. Use the handling belts to move empty tank.
 9. In order to increase the life of the tank we recommend using protective pad.
 10. Make sure not to exceed the maximum volume of tank – 1000, 2000 or 3000 liters of liquid according to the type of tank.
 11. After each use it is necessary to wash the tank thoroughly, clean it with suitable detergents and let it dry completely.
 12. Observe the safety measures for working with hazardous liquids and with substances harmful to the environment.
 13. Make sure you observe any necessary precautions regarding personal safety, such as the use of protective equipment.
-

Recommended optional accessories

Collapsible containment tanks can be equipped with a drain hole and ball valve on request.

Maintenance and storage

After the draining and prescribed environment-friendly disposal of the collected substance, the product should be washed with proper neutralization detergent (in the case of aggressive substances) and lukewarm water or another suitable detergent. We recommend storing the tanks folded in the carrying bag so that they are not damaged while not in use. The tank must be dried thoroughly before it is put into the bag. For long-term storage, place the tank in a dry place out of the reach of UV radiation.

Important contact information

Manufacturer and qualified service:

Metal Arsenal s.r.o.

Poděbradova 1920

289 22 Lysá nad Labem

Czech Republic

info@eccotarp.com

T: +420 325 514 723

T: +420 737 802 153

T: +420 777 472 640

Repair

Any repair work on the collapsible containment tank must always be done by the manufacturer's qualified personnel. In the event of unprofessional repair or design change, the product's proper operation cannot be guaranteed. If you want to request repair, order accessories or lodge a complaint, please, contact our qualified service department.

Warranty conditions

The warranty period is indicated in the warranty certificate on the last page of these Instructions for use. The warranty period is 24 months and begins on the day indicated in the warranty certificate. The warranty does not apply to the normal wear and tear or to damage caused by improper use or by the instructions in this manual not being observed.

Warning – the warranty does not cover damage from long-term exposure to chemicals. This can also occur after the tank is improperly cleaned after intervention. Even a small amount of aggressive chemicals will cause degradation of the material from which it is made during long-term exposure. This can be manifested by microscopic cracks on the surface, or by a change in the properties of the material, which can lead to easy damage and tearing.

Disposal

The tank must be disposed of in compliance with applicable legal regulations and with the user's internal directives.

Chemical resistance certificate

Applicable to all types of Collapsible Spill Bunds, Funnels and Protective Liners.

Resistance levels:

- A) resistant
- B) resistant for at least 3 hours
- C) non-resistant

Name of substance	Chemical formula	Resistance level at the temperature of 20 °C	Resistance level at the temperature of 60 °C
LIQUID SUBSTANCES			
Acetone	CH ₃ COCH ₃	C	C
Acetonitrile	CH ₃ CN	A	A
Ammonia	NH ₃	A	A
Benzene	C ₆ H ₆	B	B
Tar	mixture	C	C
Dimethyl-formamide	C ₄ H ₉ NO	A	A
Ethanol	C ₂ H ₅ OH	A	A
Ethylbenzene	C ₈ H ₁₀	A	A
Formaldehyde	CH ₂ O	B	B
Chlorine	Cl	C	C
Chloroform	CHCl ₃	C	C
Transformer oil		A	A
Hydrochloric acid	HCl	A	A
Nitric acid	HNO ₃	A	B
Phosphoric acid	H ₃ PO ₄	A	B
Formic acid	HCOOH	B	B
Acetic acid	CH ₃ COOH	A	B
Sulphuric acid	H ₂ SO ₄	A	B
Sulphurous acid	H ₂ SO ₃	A	B
Methanol	CH ₃ OH	A	A
Mercury	Hg	A	A
Hydrogen sulphide	H ₂ S	A	B
Styrene	C ₈ H ₈	A	A
Pentane	C ₅ H ₁₂	A	A
Toluene	C ₆ H ₅ CH ₃	A	A
Hydrogen peroxide	H ₂ O ₂	A	A

Name of substance	Chemical formula	Resistance level at the temperature of 20 °C	Resistance level at the temperature of 60 °C
SOLID SUBSTANCES			
Ammonium acetate	CH ₃ COONH ₄	A	A
Borax	Na ₂ [B ₃ O ₆ (OH) ₃]-8H ₂ O	A	A
Sugar	mixture	A	A
Potassium cyanide	KCN	A	A
Ammonium nitrate	NH ₄ NO ₃	A	A
Calcium nitrate	Ca(NO ₃) ₂	A	A
Phenol	C ₆ H ₅ OH	B	B
Ammonium phosphate	(NH ₄) ₃ PO ₄	A	A
Potassium nitrate	KNO ₃	A	A
Potassium	KOH	A	A
Sodium hydroxide	NaOH	A	A
Ammonium chloride	NH ₄ Cl	A	A
OPERATING FLUIDS			
Petrol		B	B
Diesel fuel		B	B
Motor oil		B	B
Methyl tert-butyl ether (MTBE)	C ₅ H ₁₂ O	B	B
Hydraulic oils		B	B

Notice:

Eccotarp collapsible spill bunds are compatible to varying degrees with the substances listed above.

However, given the almost unlimited number of potential combinations of chemicals plus the influence of factors such as concentration and temperature, this list does not claim to be definitive and is only intended for informative purposes in predicting the behaviour of the chemicals concerned.

Compatibility with the listed substances cannot be entirely guaranteed. Neither the manufacturer nor the distributor provides any warranty, nor do they accept any responsibility for resultant damage.

For a reliable estimate of the level of resistance to a specific substance, we recommend you to test small samples using miniature laboratory funnels which can be provided upon request by the manufacturer.



The Eccotarp collapsible spill bunds are not intended for long-term storage of retrieved spilt liquids. They were developed first and foremost for rapid use in emergencies, for capturing hazardous substances during the time immediately before its correct disposal.

Warranty Certificate



This product is guaranteed for 24 months.

This warranty covers:

for defects caused by a manufacturing defect of the material used, in particular a leak at the welds, a defect in the fittings and any other damage, not caused by demonstrable mishandling by the user or any modification of the product.

This warranty does not cover:

damages caused by improper handling and use of the product and failure to follow the "user manual". For example, punctures or other damage caused by placing the product in an inappropriate area with sharp objects, higher load handling weight than stated in the "user manual", use or placing the product near open flames, and other inappropriate uses.

Warning – the warranty does not cover damage from long-term exposure to chemicals. This can also occur after the tank is improperly cleaned after intervention. Even a small amount of aggressive chemicals will cause degradation of the material from which it is made during long-term exposure. This can be manifested by microscopic cracks on the surface, or by a change in the properties of the material, which can lead to easy damage and tearing.

The manufacturer is not liable for any direct or indirect damage caused by misuse, other than the recommended use of the product.

Complaints must be applied within 24 months of purchase from your supplier. When applying please provide your complaint with full details – product serial number, proof of purchase, where appropriate photographic documentation and a detailed description of the circumstances in which a fault has occurred.

In case of problems, please contact:

Products Name:

Production Code:

Stamp and Signature:

Date of sale:

Failure description: